

SECTION MA
MAINTENANCE

A
B
C
D
E
F
G
H
I
J
K
L
M
N
O

CONTENTS

PREPARATION	AIR CLEANER FILTER : Removal and Installation
PREPARATION18
Special Service Tool	ENGINE OIL
Commercial Service Tool	ENGINE OIL : Draining
PERIODIC MAINTENANCE	ENGINE OIL : Refilling
GENERAL MAINTENANCE	20
Explanation of General Maintenance	OIL FILTER
PERIODIC MAINTENANCE	OIL FILTER : Removal and Installation
Introduction of Periodic Maintenance	OIL FILTER : Inspection
Schedule 1	21
Schedule 2	SPARK PLUG
RECOMMENDED FLUIDS AND LUBRICANTS	SPARK PLUG : Removal and Installation
Fluids and Lubricants	SPARK PLUG : Inspection
Engine Oil Recommendation	22
Anti-Freeze Coolant Mixture Ratio	EVAP VAPOR LINES
ENGINE MAINTENANCE (VQ37VHR)	EVAP VAPOR LINES : Inspection
DRIVE BELT	23
DRIVE BELT : Exploded View	ENGINE MAINTENANCE (VK56VD)
DRIVE BELT : Checking	23
DRIVE BELT : Tension Adjustment	DRIVE BELT
ENGINE COOLANT	DRIVE BELT : Exploded View
ENGINE COOLANT : Draining	DRIVE BELT : Checking
ENGINE COOLANT : Refilling	DRIVE BELT : Tension Adjustment
ENGINE COOLANT : Flushing	24
RADIATOR CAP	ENGINE COOLANT
RADIATOR CAP : Inspection	ENGINE COOLANT : Draining
RADIATOR	ENGINE COOLANT : Refilling
RADIATOR : Inspection	ENGINE COOLANT : Flushing
FUEL LINES	26
FUEL LINES : Inspection	RADIATOR CAP
AIR CLEANER FILTER	RADIATOR CAP : Inspection
AIR CLEANER FILTER : Removal and Installation	27
.....28	RADIATOR
ENGINE OIL	RADIATOR : Inspection
28	27
	FUEL LINES
	FUEL LINES : Inspection
	28
	AIR CLEANER FILTER
	AIR CLEANER FILTER : Removal and Installation
28
	28

ENGINE OIL : Draining	28	BRAKE FLUID LEVEL AND LEAKS	39
ENGINE OIL : Refilling	29	BRAKE FLUID LEVEL AND LEAKS : Inspection ...	39
OIL FILTER	29	BRAKE LINES AND CABLES	39
OIL FILTER : Removal and Installation	29	BRAKE LINES AND CABLES : Inspection	39
OIL FILTER : Inspection	30	BRAKE FLUID	39
SPARK PLUG	30	BRAKE FLUID : Changing	40
SPARK PLUG : Removal and Installation	30	DISC BRAKE	40
SPARK PLUG : Inspection	31	DISC BRAKE : Inspection	40
EVAP VAPOR LINES	31	DISC BRAKE : Front Disc Brake	40
EVAP VAPOR LINES : Inspection	31	DISC BRAKE : Rear Disc Brake	41
CHASSIS MAINTENANCE	32	STEERING GEAR AND LINKAGE	41
EXHAUST SYSTEM	32	STEERING GEAR AND LINKAGE : Inspection	41
EXHAUST SYSTEM : Inspection	32	POWER STEERING FLUID AND LINES	41
TRANSFER FLUID	32	POWER STEERING FLUID AND LINES : Inspec-	42
TRANSFER FLUID : Inspection	32	tion	42
TRANSFER FLUID : Draining	32	AXLE AND SUSPENSION PARTS	42
TRANSFER FLUID : Refilling	33	AXLE AND SUSPENSION PARTS : Inspection ...	42
FRONT PROPELLER SHAFT: 2S56A	33	DRIVE SHAFT	42
FRONT PROPELLER SHAFT: 2S56A : Inspec-	33	DRIVE SHAFT : Inspection	43
tion	33	BODY MAINTENANCE	44
REAR PROPELLER SHAFT: 3S80A-R	33	LOCKS, HINGES AND HOOD LATCH	44
REAR PROPELLER SHAFT: 3S80A-R : Inspec-	34	LOCKS, HINGES AND HOOD LATCH : Lubricat-	44
tion	34	ing	44
REAR PROPELLER SHAFT: 3F80A-R	34	SEAT BELT, BUCKLES, RETRACTORS, AN-	44
REAR PROPELLER SHAFT: 3F80A-R : Inspec-	34	CHORS AND ADJUSTERS	44
tion	34	SEAT BELT, BUCKLES, RETRACTORS, AN-	44
FRONT DIFFERENTIAL GEAR OIL: F160A	35	CHORS AND ADJUSTERS : Inspection	44
FRONT DIFFERENTIAL GEAR OIL: F160A : In-	35	SERVICE DATA AND SPECIFICATIONS	45
spection	35	(SDS)	45
FRONT DIFFERENTIAL GEAR OIL: F160A :	35	SERVICE DATA AND SPECIFICATIONS	45
Draining	35	(SDS)	45
FRONT DIFFERENTIAL GEAR OIL: F160A : Re-	35	DRIVE BELTS (VQ37VHR)	45
filling	35	DRIVE BELTS (VQ37VHR) : Drive Belt	45
REAR DIFFERENTIAL GEAR OIL: R200	36	DRIVE BELTS (VK56VD)	45
REAR DIFFERENTIAL GEAR OIL: R200 : Inspec-	36	DRIVE BELTS (VK56VD) : Drive Belts	45
tion	36	ENGINE COOLANT (VQ37VHR)	45
REAR DIFFERENTIAL GEAR OIL: R200 : Drain-	36	ENGINE COOLANT (VQ37VHR) :	45
ing	36	Periodical Maintenance Specification	45
REAR DIFFERENTIAL GEAR OIL: R200 : Refill-	36	ENGINE COOLANT (VK56VD)	45
ing	36	ENGINE COOLANT (VK56VD) :	45
REAR DIFFERENTIAL GEAR OIL: R208	36	Periodical Maintenance Specification	45
REAR DIFFERENTIAL GEAR OIL: R208 : Inspec-	36	ENGINE OIL (VQ37VHR)	45
tion	36	ENGINE OIL (VQ37VHR) :	45
REAR DIFFERENTIAL GEAR OIL: R208 : Drain-	37	Periodical Maintenance Specification	45
ing	37	ENGINE OIL (VK56VD)	45
REAR DIFFERENTIAL GEAR OIL: R208 : Refill-	37		
ing	37		
WHEELS (BONDING WEIGHT TYPE)	37		
WHEELS (BONDING WEIGHT TYPE) : Adjust-	37		
ment	37		

ENGINE OIL (VK56VD) :	SPARK PLUG (VK56VD)	46	
Periodical Maintenance Specification	SPARK PLUG (VK56VD) : Spark Plug	46	A
SPARK PLUG (VQ37VHR)	ROAD WHEEL	46	
SPARK PLUG (VQ37VHR) : Spark Plug	ROAD WHEEL : Road Wheel	46	B

C

D

E

F

G

H

I

J

K

L

M

N

O

MA

PREPARATION

< PREPARATION >

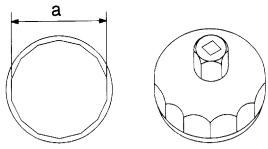
PREPARATION

PREPARATION

Special Service Tool

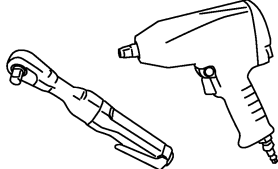
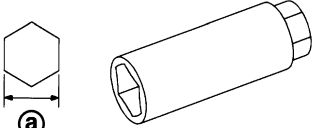
INFOID:000000005946783

The actual shapes of Kent-Moore tools may differ from those of special service tools illustrated here.

Tool number (Kent-Moore No.) Tool name	Description
KV10115801 (J-38956) Oil filter wrench <div style="text-align: center;">  <p>S-NT375</p> </div>	Removing and installing oil filter a: 64.3 mm (2.531 in)

Commercial Service Tool

INFOID:000000005946784

Tool name	Description
Power tool <div style="text-align: center;">  <p>PBIC0190E</p> </div>	Loosening nuts and bolts
Spark plug wrench <div style="text-align: center;">  <p>JPBIA0399ZZ</p> </div>	Removing and installing spark plug a : 14 mm (0.55 in)

GENERAL MAINTENANCE

< PERIODIC MAINTENANCE >

PERIODIC MAINTENANCE

GENERAL MAINTENANCE

Explanation of General Maintenance

INFOID:000000005946785

General maintenance includes those items which should be checked during the normal day-to-day operation of the vehicle. They are essential if the vehicle is to continue operating properly. The owners can perform checks and inspections themselves or have their **INFINITI** dealers do them.

OUTSIDE THE VEHICLE

The maintenance items listed here should be performed from time to time, unless otherwise specified.

Item		Reference page
Tires	Check the pressure with a gauge often and always prior to long distance trips. Adjust the pressure in all tires, including the spare, to the pressure specified. Check carefully for damage, cuts or excessive wear.	WT-74
Wheel nuts	When checking the tires, make sure no nuts are missing, and check for any loose nuts. Tighten if necessary.	—
Tire rotation	Tires should be rotated every 12,000km (7,500 miles). If the vehicle is equipped with different sized tires in the front and rear, tires cannot be rotated.	MA-37
Tire Pressure Monitoring System (TPMS) transmitter components	Replace the TPMS transmitter grommet seal, valve core and cap when the tires are replaced due to wear or age.	WT-71
Wheel alignment and balance	If the vehicle should pull to either side while driving on a straight and level road, or if you detect uneven or abnormal tire wear, there may be a need for wheel alignment. If the steering wheel or seat vibrates at normal highway speeds, wheel balancing may be needed.	FSU-8 (2WD) FSU-28 (AWD) RSU-6
Windshield	Clean the windshield on a regular basis. Check the windshield at least every six months for cracks or other damage. Repair as necessary.	—
Windshield wiper blades	Check for cracks or wear if they do not wipe properly.	—
Doors and engine hood	Check that all doors and the engine hood operate properly. Also make sure that all latches lock securely. Lubricate if necessary. Make sure that the secondary latch keeps the hood from opening when the primary latch is released. When driving in areas using road salt or other corrosive materials, check lubrication frequently.	MA-44
Lamps	Make sure that the headlamps, stop lamps, tail lamps, turn signal lamps, and other lamps are all operating properly and installed securely. Also check headlamp aim. Clean the headlamps on a regular basis.	—

INSIDE THE VEHICLE

The maintenance items listed here should be checked on a regular basis, such as when performing periodic maintenance, cleaning the vehicle, etc.

Item		Reference page
Warning lamps and chimes	Make sure that all warning lamps and chimes are operating properly.	—
Windshield wiper and washer	Check that the wipers and washer operate properly and that the wipers do not streak.	—
Windshield defroster	Check that the air comes out of the defroster outlets properly and in sufficient quantity when operating the heater or air conditioner.	—
Steering wheel	Check that it has the specified play. Check for changes in the steering condition, such as excessive play, hard steering or strange noises. Free play: Less than 35 mm (1.38 in)	—
Seats	Check seat position controls such as seat adjusters, seatback recliner, etc. to make sure they operate smoothly and that all latches lock securely in every position. Check that the head restraints move up and down smoothly and that the locks (if equipped) hold securely in all latched positions. Check that the latches lock securely for folding-down rear seatbacks.	—

GENERAL MAINTENANCE

< PERIODIC MAINTENANCE >

Item		Reference page
Seat belts	Check that all parts of the seat belt system (e.g. buckles, anchors, adjusters and retractors) operate properly and smoothly, and are installed securely. Check the belt webbing for cuts, fraying, wear or damage.	MA-44
Accelerator pedal	Check the pedal for smooth operation and make sure the pedal does not catch or require uneven effort. Keep the floor mats away from the pedal.	—
Brakes	Check that the brake does not pull the vehicle to one side when applied.	—
Brake pedal and booster	Check the pedal for smooth operation and make sure it has the proper distance under it when depressed fully. Check the brake booster function. Be sure to keep the floor mats away from the pedal.	BR-7 BR-13
Parking brake	Check that the lever or pedal has the proper travel and make sure that the vehicle is held securely on a fairly steep hill when only the parking brake is applied.	PB-3
Automatic transmission “Park” mechanism	Check that the lock release button on the selector lever operates properly and smoothly. On a fairly steep hill check that the vehicle is held securely with the selector lever in the P (Park) position without applying any brakes.	—

UNDER THE HOOD AND VEHICLE

The maintenance items listed here should be checked periodically (e.g. each time you check the engine oil or refuel).

Item		Reference page
Windshield washer fluid	Check that there is adequate fluid in the tank.	—
Engine coolant level	Check the coolant level when the engine is cold.	CO-8 CO-33
Radiator and hoses	Check the front of the radiator and clean off any dirt, insects, leaves, etc., that may have accumulated. Make sure the hoses have no cracks, deformation, deterioration or loose connections.	MA-18 MA-27
Brake fluid levels	Make sure that the brake fluid level is between the “MAX” and “MIN” lines on the reservoir(s).	MA-39
Battery	Check the fluid level in each cell. It should be between the “MAX” and “MIN” lines. Vehicles operated in high temperatures or under severe conditions require frequent checks of the battery fluid level.	PG-152
Engine drive belts	Make sure that no belt is frayed, worn, cracked or oily.	MA-14 MA-23
Engine oil level	Check the level on the oil level gauge after parking the vehicle on a level spot and turning off the engine.	LU-7 LU-23
Power steering fluid level and lines	Check the level on the dipstick with the engine off. Check the lines for improper attachment, leaks, cracks, etc.	MA-42
Exhaust system	Make sure there are no loose supports, cracks or holes. If the sound of the exhaust seems unusual or there is a smell of exhaust fumes, immediately locate the trouble and correct it.	MA-32
Underbody	The underbody is frequently exposed to corrosive substances such as those used on icy roads or to control dust. It is very important to remove these substances, otherwise rust will form on the floor pan, frame, fuel lines and around the exhaust system. At the end of winter, the underbody should be thoroughly flushed with plain water, being careful to clean those areas where mud and dirt can easily accumulate.	—
Fluid leaks	Check under the vehicle for fuel, oil, water or other fluid leaks after the vehicle has been parked for a while. Water dripping from the air conditioner after use is normal. If you should notice any leaks or gasoline fumes are evident, check for the cause and correct it immediately.	—

PERIODIC MAINTENANCE

< PERIODIC MAINTENANCE >

PERIODIC MAINTENANCE

Introduction of Periodic Maintenance

INFOID:000000005946786

Two different maintenance schedules are provided, and should be used, depending upon the conditions in which the vehicle is mainly operated. **After 60,000 miles (96,000 km) or 48 months, continue the periodic maintenance at the same mileage/time intervals.**

Schedule 1	Follow Periodic Maintenance Schedule 1 if the driving habits frequently include one or more of the following driving conditions: <ul style="list-style-type: none"> • Repeated short trips of less than 5 miles (8 km). • Repeated short trips of less than 10 miles (16 km) with outside temperatures remaining below freezing. • Operating in hot weather in stop-and-go “rush hour” traffic. • Extensive idling and/or low speed driving for long distances, such as police, taxi or door-to-door delivery use. • Driving in dusty conditions. • Driving on rough, muddy, or salt spread roads. • Towing a trailer, using a camper or a car-top carrier. 	Emission Control System Maintenance	MA-7
		Chassis and Body Maintenance	
Schedule 2	Follow Periodic Maintenance Schedule 2 if none of driving conditions shown in Schedule 1 apply to the driving habits.	Emission Control System Maintenance	MA-9
		Chassis and Body Maintenance	

Schedule 1

INFOID:000000005946787

EMISSION CONTROL SYSTEM

Abbreviations: R = Replace. I = Inspect. Correct or replace if necessary. []: At the mileage intervals only

MAINTENANCE OPERATION		MAINTENANCE INTERVAL								Reference Section - Page or - Content Title
Perform at number of miles, kilometers or months, whichever comes first.	Miles x 1,000 (km x 1,000) Months	3.75 (6) 3	7.50 (12) 6	11.25 (18) 9	15 (24) 12	18.75 (30) 15	22.5 (36) 18	26.25 (42) 21	30 (48) 24	
Drive belts	NOTE (1)									MA-14 MA-23
Air cleaner filter	NOTE (2)								[R]	MA-18 MA-28
EVAP vapor lines									I*	MA-22 MA-31
Fuel lines									I*	MA-28 MA-18
Fuel filter	NOTE (3)									—
Engine coolant*	NOTE (4)									MA-14 MA-24
Engine oil		R	R	R	R	R	R	R	R	MA-19 MA-28
Engine oil filter (Use genuine NISSAN engine oil filter or equivalent.)		R	R	R	R	R	R	R	R	MA-20 MA-29
Spark plugs (Iridium-tipped type)		Replace every 105,000 miles (168,000 km).								MA-21 MA-30
Intake & exhaust valve clearance*	NOTE (5)									EM-13 EM-168

A
B
C
D
E
F
G
H
I
J
K
L
M
N
O
MA

PERIODIC MAINTENANCE

< PERIODIC MAINTENANCE >

MAINTENANCE OPERATION		MAINTENANCE INTERVAL								Reference Section - Page or - Content Title
		Miles x 1,000 (km x 1,000) Months	33.75 (54) 27	37.5 (60) 30	41.25 (66) 33	45 (72) 36	48.75 (78) 39	52.5 (84) 42	56.25 (90) 45	
Perform at number of miles, kilometers or months, whichever comes first.										
Drive belts	NOTE (1)								I*	MA-14 MA-23
Air cleaner filter	NOTE (2)								[R]	MA-18 MA-28
EVAP vapor lines									I*	MA-22 MA-31
Fuel lines									I*	MA-28 MA-18
Fuel filter	NOTE (3)									—
Engine coolant*	NOTE (4)									MA-14 MA-24
Engine oil		R	R	R	R	R	R	R	R	MA-19 MA-28
Engine oil filter (Use genuine NISSAN engine oil filter or equivalent.)		R	R	R	R	R	R	R	R	MA-20 MA-29
Spark plugs (Iridium-tipped type)		Replace every 105,000 miles (168,000 km).								MA-21 MA-30
Intake & exhaust valve clearance*	NOTE (5)									EM-13 EM-168

NOTE:

- (1) After 60,000 miles (96,000 km) or 48 months, inspect every 15,000 miles (24,000 km) or 12 months. Replace the drive belts if found damaged or if the auto belt tensioner reading reaches the maximum limit.
- (2) If operating mainly in dusty conditions, more frequent maintenance may be required.
- (3) Maintenance-free item. For service procedures, refer to FL section.
- (4) First replacement interval is 105,000 miles (168,000 km) or 84 months. After first replacement, replace every 75,000 miles (120,000 km) or 60 months. Use only Genuine NISSAN Long Life Antifreeze/Coolant (blue) or equivalent with proper mixture ratio of 50% anti-freeze and 50% demineralized or distilled water. Mixing any other type of coolant or the use of non-distilled water will reduce the life expectancy of the factory-fill coolant.
- (5) Periodic maintenance is not required. However, if valve noise increases, inspect valve clearance.

* Maintenance items and intervals with "*" are recommended by INFINITI for reliable vehicle operation. The owner need not perform such maintenance in order to maintain the emission warranty or manufacturer recall liability. Other maintenance items and intervals are required.

CHASSIS AND BODY

Abbreviations: R = Replace. I = Inspect. Correct or replace if necessary.

MAINTENANCE OPERATION		MAINTENANCE INTERVAL								Reference Section - Page or - Content Title
		Miles x 1,000 (km x 1,000) Months	3.75 (6) 3	7.50 (12) 6	11.25 (18) 9	15 (24) 12	18.75 (30) 15	22.5 (36) 18	26.25 (42) 21	
Perform at number of miles, kilometers or months, whichever comes first.										
Brake lines & cables					I				I	MA-39
Brake fluid					R				R	MA-40
Brake pads & rotors			I		I		I		I	MA-40
Transfer fluid & differential gear oil	NOTE (1)				I				I	MA-32 MA-35 MA-36 MA-36
Automatic transmission fluid	NOTE (2)									—

PERIODIC MAINTENANCE

< PERIODIC MAINTENANCE >

MAINTENANCE OPERATION		MAINTENANCE INTERVAL								Reference Section - Page or - Content Title
Perform at number of miles, kilometers or months, whichever comes first.	Miles x 1,000 (km x 1,000) Months	3.75 (6) 3	7.50 (12) 6	11.25 (18) 9	15 (24) 12	18.75 (30) 15	22.5 (36) 18	26.25 (42) 21	30 (48) 24	
Steering gear & linkage, axle & suspension parts			I		I		I		I	MA-41 MA-42
Tire rotation	NOTE (3)									MA-5 WT-66
Drive shaft boots and propeller shaft (AWD models)			I		I		I		I	MA-43 MA-33 MA-34 MA-34
Exhaust system			I		I		I		I	MA-32
In-cabin microfilter					R				R	VTL-19

MAINTENANCE OPERATION		MAINTENANCE INTERVAL								Reference Section - Page or - Content Title
Perform at number of miles, kilometers or months, whichever comes first.	Miles x 1,000 (km x 1,000) Months	33.75 (54) 27	37.5 (60) 30	41.25 (66) 33	45 (72) 36	48.75 (78) 39	52.5 (84) 42	56.25 (90) 45	60 (96) 48	
Brake lines & cables					I				I	MA-39
Brake fluid					R				R	MA-40
Brake pads & rotors			I		I		I		I	MA-40
Transfer fluid & differential gear oil	NOTE (1)				I				I	MA-32 MA-35 MA-36 MA-36
Automatic transmission fluid	NOTE (2)									—
Steering gear & linkage, axle & suspension parts			I		I		I		I	MA-41 MA-42
Tire rotation	NOTE (3)									MA-5 WT-66
Drive shaft boots and propeller shaft (AWD models)			I		I		I		I	MA-43 MA-33 MA-34 MA-34
Exhaust system			I		I		I		I	MA-32
In-cabin microfilter					R				R	VTL-19

NOTE:

- (1) If towing a trailer, using a camper or a car-top carrier, or driving on rough or muddy roads, change (not just inspect) fluid /oil at every 30,000 miles (48,000 km) or 24 months.
- (2) Automatic transmission fluid is maintenance-free.
- (3) Refer to "Tire rotation" under the "General maintenance" heading earlier in this section.

Schedule 2

INFOID:000000005946788

EMISSION CONTROL SYSTEM

MA

PERIODIC MAINTENANCE

< PERIODIC MAINTENANCE >

Abbreviations: R = Replace. I = Inspect. Correct or replace if necessary. []: At the mileage intervals only

MAINTENANCE OPERATION		MAINTENANCE INTERVAL								Reference Section - Page or - Content Title
Perform at number of miles, kilometers or months, whichever comes first.	Miles x 1,000 (km x 1,000) Months	7.5 (12) 6	15 (24) 12	22.5 (36) 18	30 (48) 24	37.5 (60) 30	45 (72) 36	52.5 (84) 42	60 (96) 48	
Drive belts	NOTE (1)								I*	MA-14 MA-23
Air cleaner filter					[R]				[R]	MA-18 MA-28
EVAP vapor lines					I*				I*	MA-22 MA-31
Fuel lines					I*				I*	MA-28 MA-18
Fuel filter	NOTE (2)									—
Engine coolant*	NOTE (3)									MA-14 MA-24
Engine oil		R	R	R	R	R	R	R	R	MA-19 MA-28
Engine oil filter (Use genuine NISSAN engine oil filter or equivalent.)		R	R	R	R	R	R	R	R	MA-20 MA-29
Spark plugs (Iridium-tipped type)		Replace every 105,000 miles (168,000 km).								MA-21 MA-30
Intake & exhaust valve clearance*	NOTE (4)									EM-13 EM-168

NOTE:

(1) After 60,000 miles (96,000 km) or 48 months, inspect every 15,000 miles (24,000 km) or 12 months. Replace the drive belts if found damaged or if the auto belt tensioner reading reaches the maximum limit.

(2) Maintenance-free item. For service procedures, refer to FL section.

(3) First replacement interval is 105,000 miles (168,000 km) or 84 months. After first replacement, replace every 75,000 miles (120,000 km) or 60 months. Use only Genuine NISSAN Long Life Antifreeze/Coolant (blue) or equivalent with proper mixture ratio of 50% anti-freeze and 50% demineralized or distilled water. Mixing any other type of coolant or the use of non-distilled water will reduce the life expectancy of the factory-fill coolant.

(4) Periodic maintenance is not required. However, if valve noise increases, inspect valve clearance.

* Maintenance items and intervals with "*" are recommended by INFINITI for reliable vehicle operation. The owner need not perform such maintenance in order to maintain the emission warranty or manufacturer recall liability. Other maintenance items and intervals are required.

CHASSIS AND BODY

Abbreviations: R = Replace. I = Inspect. Correct or replace if necessary.

MAINTENANCE OPERATION		MAINTENANCE INTERVAL								Reference Section - Page or - Content Title
Perform at number of miles, kilometers or months, whichever comes first.	Miles x 1,000 (km x 1,000) Months	7.5 (12) 6	15 (24) 12	22.5 (36) 18	30 (48) 24	37.5 (60) 30	45 (72) 36	52.5 (84) 42	60 (96) 48	
Brake lines & cables			I		I		I		I	MA-39
Brake fluid					R				R	MA-40
Brake pads & rotors			I		I		I		I	MA-40
Transfer fluid & differential gear oil			I		I		I		I	MA-32 MA-35 MA-36 MA-36
Automatic transmission fluid	NOTE (1)									—
Steering gear & linkage, axle & suspension parts					I				I	MA-41 MA-42

PERIODIC MAINTENANCE

< PERIODIC MAINTENANCE >

MAINTENANCE OPERATION		MAINTENANCE INTERVAL								Reference Section - Page or - Content Title
Perform at number of miles, kilometers or months, whichever comes first.	Miles x 1,000 (km x 1,000) Months	7.5 (12)	15 (24)	22.5 (36)	30 (48)	37.5 (60)	45 (72)	52.5 (84)	60 (96)	
Tire rotation	NOTE (2)									MA-5 WT-66
Drive shaft boots and propeller shaft (AWD models)			I		I		I		I	MA-43 MA-33 MA-34 MA-34
Exhaust system					I				I	MA-32
In-cabin microfilter			R		R		R		R	VTL-19

NOTE:

- (1) Automatic transmission fluid is maintenance-free.
- (2) Refer to "Tire rotation" under the "General maintenance" heading earlier in this section.

A
B
C
D
E
F
G
H
I
J
K
L
M
N
O

MA

RECOMMENDED FLUIDS AND LUBRICANTS

< PERIODIC MAINTENANCE >

RECOMMENDED FLUIDS AND LUBRICANTS

Fluids and Lubricants

INFOID:000000005946789

			Capacity (Approximate)			Recommended Fluids/Lubricants
			US measure	Imp measure	Liter	
Engine oil Drain and refill	With oil filter change	VQ37VHR	5-1/8 qt	4-1/4 qt	4.9	<ul style="list-style-type: none"> • Engine oil with API Certification Mark*¹, *² • Viscosity SAE 5W-30*¹, *²
		VK56VD (2WD)	6-3/8 qt	5-2/8 qt	6.0	
		VK56VD [AWD (4WD)]	6-3/8 qt	5-2/8 qt	6.0	
	Without oil fil- ter change	VQ37VHR	4-7/8 qt	4 qt	4.6	
		VK56VD (2WD)	6 qt	5 qt	5.7	
		VK56VD [AWD (4WD)]	6-1/8 qt	5-1/8 qt	5.8	
Dry engine (Overhaul)		VQ37VHR	6 qt	5 qt	5.7	
		VK56VD	7-5/8 qt	6-3/8 qt	7.2	
Cooling system	With reservoir tank	VQ37VHR	8-7/8 qt	7-3/8 qt	8.4	Genuine NISSAN Long Life Antifreeze/ Cool- ant (blue) or equivalent
		VK56VD	11-4/8 qt	9-5/8 qt	10.9	
	Reservoir tank			7/8 qt	3/4 qt	
Automatic transmission fluid		VQ37VHR	9-3/4 qt* ⁹	8-1/8 qt* ⁹	9.2* ⁹	Genuine NISSAN Matic S ATF* ³
		VK56VD	10-5/8 qt* ⁹	8-3/4 qt* ⁹	10.0* ⁹	
Differential gear oil	Front		1-3/8 pt	1-1/8 pt	0.65	Genuine NISSAN Differential Oil Hypoid Su- per GL-5 80W-90 or API GL-5, Viscosity SAE 80W-90* ⁴
	Rear	VQ37VHR	3 pt	2-1/2 pt	1.40	Genuine NISSAN Differential Oil Synthetic 75W-90 or API GL-5 synthetic gear oil, Vis- cosity SAE 75W-90* ⁵
		VK56VD	2-3/8 pt	2 pt	1.15	
Transfer fluid			2-1/8 pt	1-3/4 pt	1.0	Genuine NISSAN Matic J ATF* ⁶
Power steering fluid (PSF)			1-1/8 qt	7/8 qt	1.0	Genuine NISSAN PSF or equivalent* ⁷
Brake fluid			—	—	—	Genuine NISSAN Super Heavy Duty Brake Fluid* ⁸ or equivalent DOT 3 (US FMVSS No. 116)
Multi-purpose grease			—	—	—	NLGI No. 2 (Lithium soap base)
Windshield washer fluid			—	—	—	Genuine NISSAN Windshield Washer Con- centrate Cleaner & Antifreeze or equivalent
Fuel recommendation			—	—	—	Refer to GI-28, "Fuel" .

*1: For further details, see "Engine Oil Recommendation".

*2: INFINITI recommends Genuine NISSAN Ester Engine Oil available at your INFINITI dealer.

***3: Using automatic transmission fluid other than Genuine NISSAN Matic S ATF will cause deterioration in driveability and automatic transmission durability, and may damage the automatic transmission, which is not covered by the INFINITI new vehicle limited warranty.**

*4: For hot climates, viscosity SAE 90 is suitable for ambient temperatures above 0°C (32°F).

*5: See an INFINITI dealer for service for synthetic oil.

***6: Using transfer fluid other than Genuine NISSAN Matic J ATF will cause deterioration in driveability and transfer durability, and may damage the transfer, which is not covered by the INFINITI new vehicle limited warranty.**

*7: DEXRON™ VI type ATF may also be used.

*8: Available in mainland U.S.A. through an INFINITI dealer.

*9: The fluid capacity is the reference value.

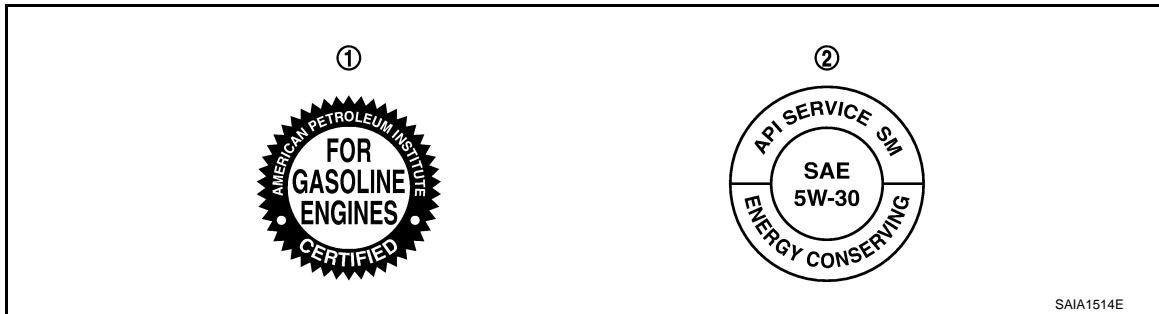
RECOMMENDED FLUIDS AND LUBRICANTS

< PERIODIC MAINTENANCE >

Engine Oil Recommendation

INFOID:000000005946790

NISSAN recommends the use of an energy conserving oil in order to improve fuel economy. Select only engine oils that meet the American Petroleum Institute (API) certification and International Lubricant Standardization and Approval Committee (ILSAC) certification and SAE viscosity standard. These oils have the API certification mark on the front of the container. Oils which do not have the specified quality label should not be used as they could cause engine damage.



1. API certification mark
2. API service symbol

Anti-Freeze Coolant Mixture Ratio

INFOID:000000005946791

The engine cooling system is filled at the factory with a high-quality, year-round, anti-freeze coolant solution. The anti-freeze solution contains rust and corrosion inhibitors. Therefore, additional cooling system additives are not necessary.

For outside temperatures down to:		Genuine NISSAN Anti-freeze Coolant (blue) or equivalent	Demineralized water or distilled water
°C	°F		
-35	-30	50%	50%

CAUTION:

When adding or replacing coolant, be sure to use only Genuine NISSAN Long Life Antifreeze/Coolant (blue) or equivalent with the proper mixture ratio of 50% anti-freeze and 50% demineralized or distilled water.

Mixing any other type of coolant or the use of non-distilled water will reduce the life expectancy of the factory-fill coolant.

A
B
C
D
E
F
G
H
I
J
K
L
M
N
O

MA

ENGINE MAINTENANCE (VQ37VHR)

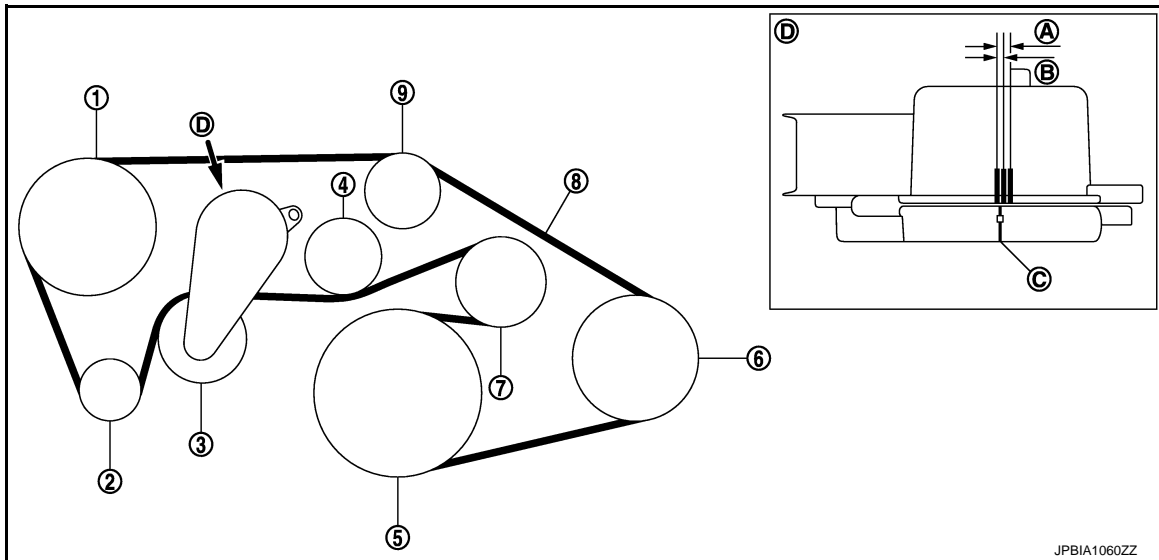
< PERIODIC MAINTENANCE >

ENGINE MAINTENANCE (VQ37VHR)

DRIVE BELT

DRIVE BELT : Exploded View

INFOID:000000006115418



- | | | |
|----------------------------|---|------------------------------|
| 1. Power steering oil pump | 2. Alternator | 3. Drive belt auto-tensioner |
| 4. Idler pulley | 5. Crankshaft pulley | 6. A/C compressor |
| 7. Idler pulley | 8. Drive belt | 9. Idler pulley |
| A. Possible use range | B. Range when new drive belt is installed | C. Indicator |
| D. View D | | |

DRIVE BELT : Checking

INFOID:000000006115419

WARNING:

Be sure to perform the this step when engine is stopped.

- Check that the indicator (C) (notch on fixed side) of drive belt auto-tensioner is within the possible use range (A).

NOTE:

- Check the drive belt auto-tensioner indication when the engine is cold.
- When new drive belt is installed, the indicator (notch on fixed side) should be within the range (B) in the figure.
- Visually check the entire drive belt for wear, damage or crack.
- If the indicator (notch on fixed side) is out of the possible use range or belt is damaged, replace drive belt.

DRIVE BELT : Tension Adjustment

INFOID:000000006115420

Refer to [EM-148. "Drive Belt"](#).

ENGINE COOLANT

ENGINE COOLANT : Draining

INFOID:000000006115428

WARNING:

- To avoid being scalded, never change engine coolant when the engine is hot.
- Wrap a thick cloth around radiator cap and carefully remove radiator cap. First, turn radiator cap a quarter of a turn to release built-up pressure. Then turn radiator cap all the way.
- Never spill engine coolant on drive belt.

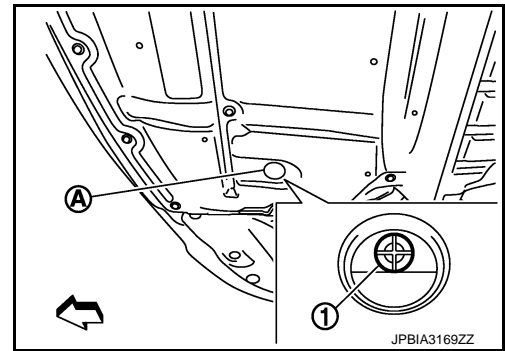
ENGINE MAINTENANCE (VQ37VHR)

< PERIODIC MAINTENANCE >

1. Open radiator drain plug (1) at the bottom of radiator, and then remove radiator cap.

A : Radiator drain plug hole

↔ : Vehicle front



When draining all of engine coolant in the system, open water drain plugs on cylinder block. Refer to [EM-81, "Setting"](#).

2. Remove reservoir tank if necessary, and drain engine coolant and clean reservoir tank before installing.
3. Check drained engine coolant for contaminants such as rust, corrosion or discoloration. If contaminated, flush the engine cooling system. Refer to [MA-16, "ENGINE COOLANT : Flushing"](#).

ENGINE COOLANT : Refilling

INFOID:000000006115429

1. Remove air cleaner case (LH) and air duct (inlet). Refer to [EM-29, "Exploded View"](#).
2. Install reservoir tank if removed, and radiator drain plug.

CAUTION:

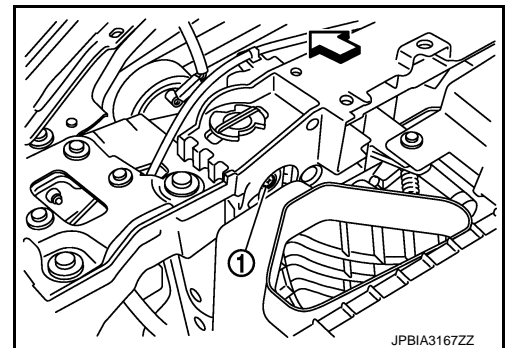
Be sure to clean drain plug and install with new O-ring.

Tightening torque : Refer to [CO-13, "Exploded View"](#).

If water drain plugs on cylinder block are removed, close and tighten them. Refer to [EM-81, "Setting"](#).

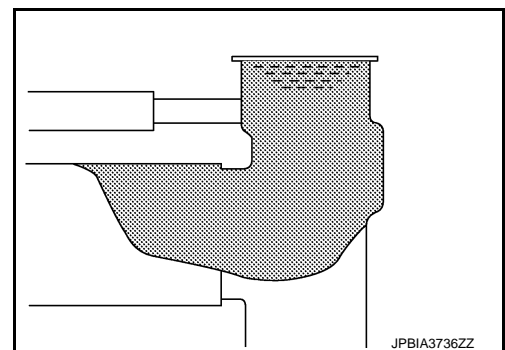
3. Check that each hose clamp has been firmly tightened.
4. Remove air relief plug (1) on radiator left side.

↔ : Vehicle front



5. Fill up the radiator with cooling water.
 - Pour engine coolant through engine coolant filler neck slowly of less than 2 ℓ (2-1/8 US qt, 1-3/4 Imp qt) a minute to allow air in system to escape.
 - Use Genuine NISSAN Long Life Antifreeze/Coolant or equivalent mixed with water (distilled or demineralized). Refer to [MA-12, "Fluids and Lubricants"](#).

Engine coolant capacity : Refer to [CO-26, "Periodical Maintenance Specification"](#)
(With reservoir tank at "MAX" level)



Reservoir tank engine coolant capacity : Refer to [CO-26, "Periodical Maintenance Specification"](#)
(At "MAX" level)

A
B
C
D
E
F
G
H
I
J
K
L
M
N
O

MA

ENGINE MAINTENANCE (VQ37VHR)

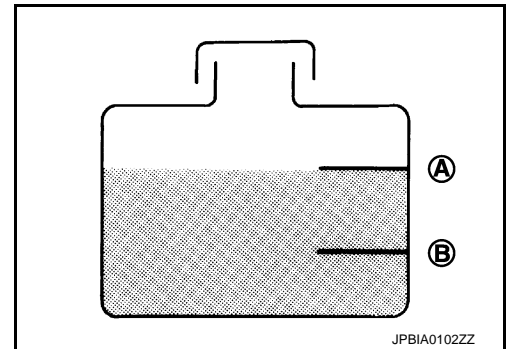
< PERIODIC MAINTENANCE >

A : MAX

B : MIN

- When engine coolant overflows air relief hole on radiator, install air relief plug with new O-ring.

Tightening torque : Refer to [CO-13, "Exploded View"](#).



- Refill reservoir tank to "MAX" level line with engine coolant.
 - Install air cleaner case (LH) and air duct (inlet). Refer to [EM-29, "Exploded View"](#).
 - Install radiator cap.
 - Warm up engine until opening thermostat. Standard for warming-up time is approximately 10 minutes at 3,000 rpm.
 - Check thermostat opening condition by touching radiator hose (lower) to see a flow of warm water.
- CAUTION:**
Watch water temperature gauge so as not to overheat engine.
- Stop the engine and cool down to less than approximately 50°C (122°F).
 - Cool down using fan to reduce the time.
 - If necessary, refill radiator up to filler neck with engine coolant.
 - Remove the radiator cap to check the fluid level. If the fluid level is low, refill with cooling water and repeat the steps from Step 7.
 - Refill reservoir tank to "MAX" level line with engine coolant.
 - Check cooling system for leakage with engine running.
 - Check flow noise, according to the following steps.

CAUTION:
To check flow noise, turn OFF the radio and close the windows, doors, and the hood.

 - Allow the engine to become cold (approximately 50°C or less).
 - Start the engine, maintain 1000 rpm for approximately 30 seconds, and increase the engine speed from 1000 to 3000 rpm. Repeat this cycle three times.
 - Check that flow noise can be heard from the heater core during the Step b operation.
 - If flow noise can be heard, repeat from Step 12 of Refilling to Step c of Flow Noise Verification Method.
 - Check that the reservoir tank cap is tightened.

ENGINE COOLANT : Flushing

INFOID:000000006115430

- Install reservoir tank if removed, and radiator drain plug.

CAUTION:
Be sure to clean drain plug and install with new O-ring.

Tightening torque : Refer to [CO-13, "Exploded View"](#).

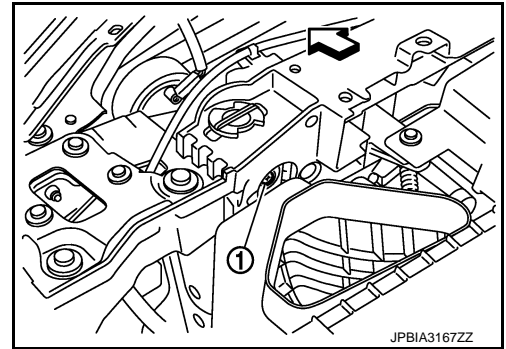
If water drain plugs on cylinder block are removed, close and tighten them. Refer to [EM-81, "Setting"](#).

ENGINE MAINTENANCE (VQ37VHR)

< PERIODIC MAINTENANCE >

- Remove air relief plug (1) on radiator.

← : Vehicle front



- Fill radiator with water until water spills from the air relief holes, then close air relief plugs. Fill radiator and reservoir tank with water and reinstall radiator cap.

Tightening torque : Refer to [CO-13, "Exploded View"](#).

- Run the engine and warm it up to normal operating temperature.
- Rev the engine two or three times under no-load.
- Stop the engine and wait until it cools down.
- Drain water from the system. Refer to [MA-14, "ENGINE COOLANT : Draining"](#).
- Repeat steps 1 through 7 until clear water begins to drain from radiator.
- Check that the reservoir tank cap is tightened.

RADIATOR CAP

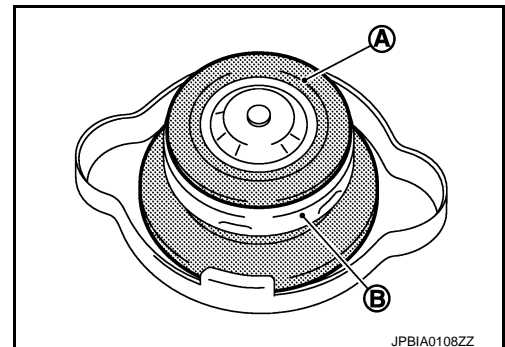
RADIATOR CAP : Inspection

INFOID:000000006115431

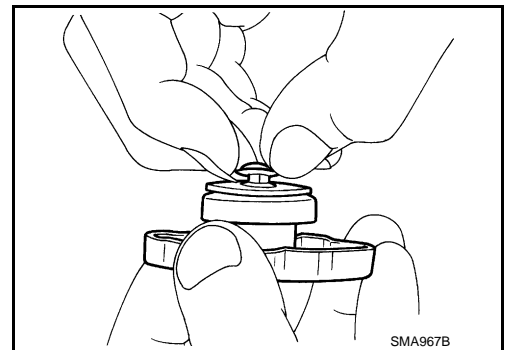
- Check valve seat (A) of radiator cap.

B : Metal plunger

- Check if valve seat is swollen to the extent that the edge of the plunger (B) cannot be seen when watching it vertically from the top.
- Check if valve seat has no soil and damage.



- Pull negative-pressure valve to open it, and check that it close completely when released.
- Check that there is no dirt or damage on the valve seat of radiator cap negative-pressure valve.
- Check that there are no unusualness in the opening and closing conditions of negative-pressure valve.



A
B
C
D
E
F
G
H
I
J
K
L
M
N
O
MA

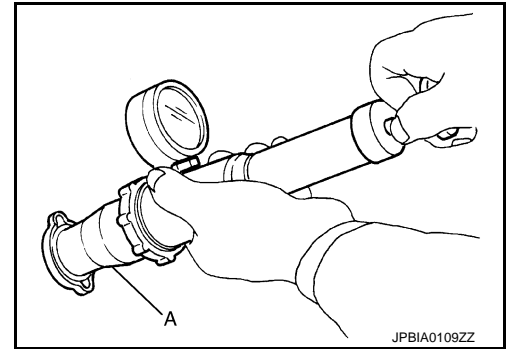
ENGINE MAINTENANCE (VQ37VHR)

< PERIODIC MAINTENANCE >

- Check radiator cap relief pressure.

Standard and limit : Refer to [CO-26, "Radiator"](#).

- When connecting radiator cap to the radiator cap tester and the radiator cap tester adapter (commercial service tool) (A), apply engine coolant to the cap seal surface.



- Replace radiator cap if there is an unusualness related to the above three.

CAUTION:

When installing radiator cap, thoroughly wipe out the water outlet (front) filler neck to remove any waxy residue or foreign material.

RADIATOR

RADIATOR : Inspection

INFOID:000000006115432

Check radiator for mud or clogging. If necessary, clean radiator as follows:

- Be careful not to bend or damage radiator fins.
 - When radiator is cleaned without removal, remove all surrounding parts such as radiator cooling fan assembly and horns. Then tape harness and connectors to prevent water from entering.
1. Apply water by hose to the back side of the radiator core vertically downward.
 2. Apply water again to all radiator core surfaces once per minute.
 3. Stop washing if any stains no longer flow out from radiator.
 4. Blow air into the back side of radiator core vertically downward.
 - Use compressed air lower than 490 kPa (5 kg/cm², 71 psi) and keep distance more than 30 cm (11.8 in).
 5. Blow air again into all the radiator core surfaces once per minute until no water sprays out.

FUEL LINES

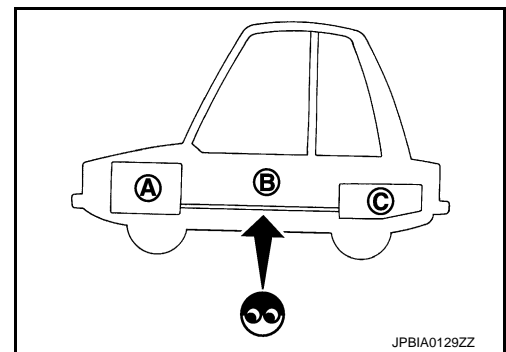
FUEL LINES : Inspection

INFOID:000000006115433

Inspect fuel lines, fuel filler cap and fuel tank for improper attachment, leakage, cracks, damage, loose connections, chafing or deterioration.

- A : Engine
- B : Fuel line
- C : Fuel tank

If necessary, repair or replace damaged parts.



AIR CLEANER FILTER

AIR CLEANER FILTER : Removal and Installation

INFOID:000000006115421

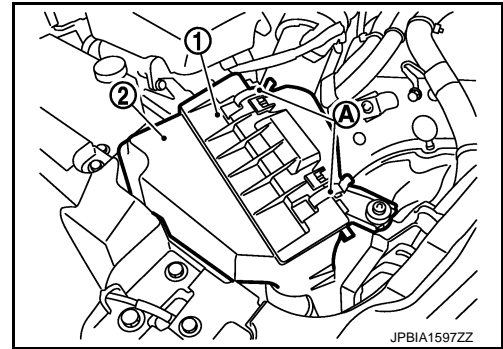
REMOVAL

ENGINE MAINTENANCE (VQ37VHR)

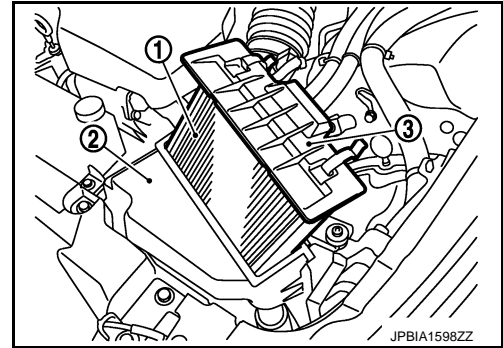
< PERIODIC MAINTENANCE >

1. Unhook clips (A).

- 1 : Holder
- 2 : Air cleaner case



2. Remove holder (3) from air cleaner case (2), and then remove air cleaner filter (1) from holder.



INSTALLATION

Note the following, and install in the reverse order of removal.

- Install the air cleaner filter by aligning the seal with the notch of air cleaner case.

ENGINE OIL

ENGINE OIL : Draining

INFOID:000000006115424

WARNING:

- Be careful not to get burn yourself, as engine oil may be hot.
- Prolonged and repeated contact with used engine oil may cause skin cancer. Try to avoid direct skin contact with used engine oil. If skin contact is made, wash thoroughly with soap or hand cleaner as soon as possible.

1. Warm up the engine, and check for engine oil leakage from engine components. Refer to [LU-7, "Inspection"](#).
2. Stop the engine and wait for 10 minutes.
3. Loosen oil filler cap.
4. Remove undercover with power tool.
5. Remove drain plug and then drain engine oil.

ENGINE OIL : Refilling

INFOID:000000006115425

1. Install drain plug with new washer. Refer to [EM-45, "Exploded View"](#).

CAUTION:

Be sure to clean drain plug and install with new washer.

Tightening torque : Refer to [EM-45, "Exploded View"](#).

2. Refill with new engine oil.
Engine oil specification and viscosity: Refer to [MA-12, "Fluids and Lubricants"](#).

Engine oil capacity : Refer to [LU-17, "Periodical Maintenance Specification"](#).

CAUTION:

- When filling engine oil, do not pull out oil level gauge.

ENGINE MAINTENANCE (VQ37VHR)

< PERIODIC MAINTENANCE >

- The refill capacity depends on the engine oil temperature and drain time. Use these specifications for reference only.
 - Always use oil level gauge to determine the proper amount of engine oil in engine.
3. Warm up the engine and check area around drain plug and oil filter for engine oil leakage.
 4. Stop the engine and wait for 10 minutes.
 5. Check the engine oil level. Refer to [LU-7, "Inspection"](#).

OIL FILTER

OIL FILTER : Removal and Installation

INFOID:000000006115426

REMOVAL

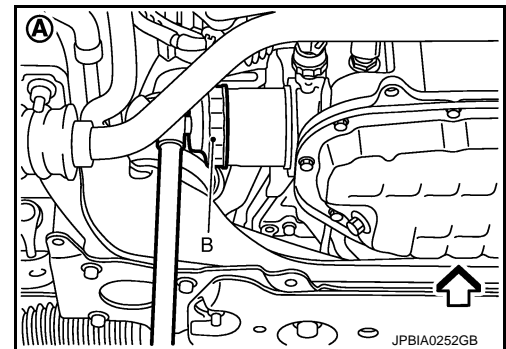
CAUTION:

- Oil filter is provided with relief valve. Use genuine NISSAN oil filter or equivalent.
- Be careful not to get burned when engine and engine oil may be hot.
- When removing, prepare a shop cloth to absorb any engine oil leakage or spillage.
- Never allow engine oil to adhere to drive belt.
- Completely wipe off any engine oil that adheres to engine and vehicle.

1. Remove engine undercover with power tool.
2. Using oil filter wrench [SST: KV10115801 (J-38956)] (B), remove oil filter.

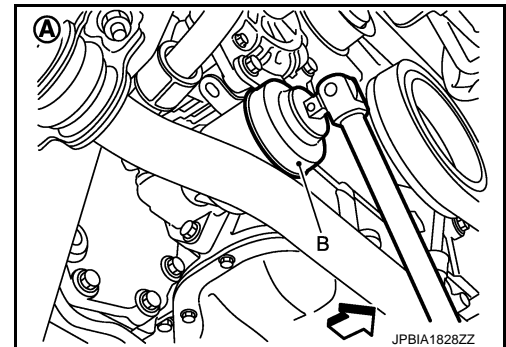
A : 2WD models

⇐ : Engine front



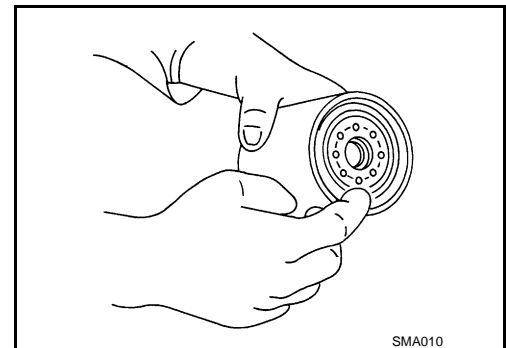
A : AWD models

⇐ : Engine front



INSTALLATION

1. Remove foreign materials adhering to oil filter installation surface.
2. Apply engine oil to the oil seal contact surface of new oil filter.



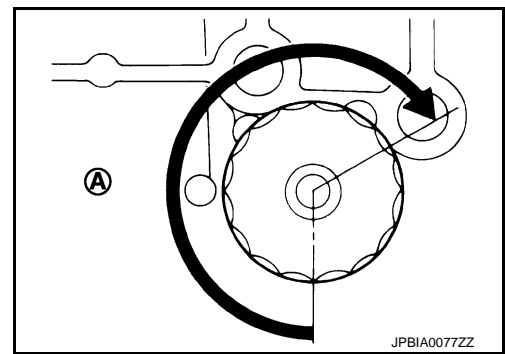
ENGINE MAINTENANCE (VQ37VHR)

< PERIODIC MAINTENANCE >

3. Screw oil filter manually until it touches the installation surface, then tighten it by 2/3 turn (A). Or tighten to the specification.

Oil filter:

: 17.7 N·m (1.8 kg-m, 13 ft-lb)



INFOID:000000006115427

OIL FILTER : Inspection

INSPECTION AFTER INSTALLATION

1. Check the engine oil level. Refer to [LU-7, "Inspection"](#).
2. Start the engine, and check there is no leak of engine oil.
3. Stop the engine and wait for 10 minutes.
4. Check the engine oil level, and adjust the level. Refer to [LU-7, "Inspection"](#).

SPARK PLUG

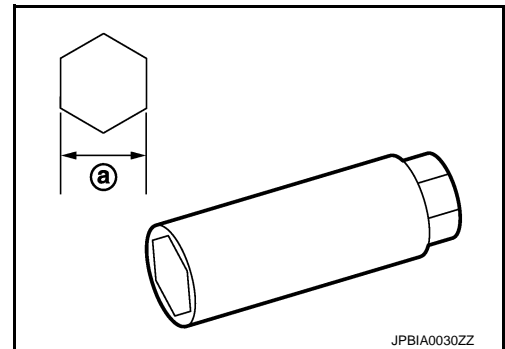
SPARK PLUG : Removal and Installation

INFOID:000000006115422

REMOVAL

1. Remove engine cover with power tool. Refer to [EM-27, "Exploded View"](#).
2. Remove air cleaner case and air duct (RH and LH). Refer to [EM-29, "Exploded View"](#).
3. Remove electric throttle control actuator. Refer to [EM-31, "Exploded View"](#).
4. Remove ignition coil. Refer to [EM-49, "Removal and Installation"](#).
5. Remove spark plug with a spark plug wrench (commercial service tool).

a : 14 mm (0.55 in)



INSTALLATION

Installation is the reverse order of removal.

SPARK PLUG : Inspection

INFOID:000000006115423

INSPECTION AFTER REMOVAL

Use the standard type spark plug for normal condition.

Spark plug (Standard type) : Refer to [EM-148, "Spark Plug"](#).

CAUTION:

A
B
C
D
E
F
G
H
I
J
K
L
M
N
O

MA

ENGINE MAINTENANCE (VQ37VHR)

< PERIODIC MAINTENANCE >

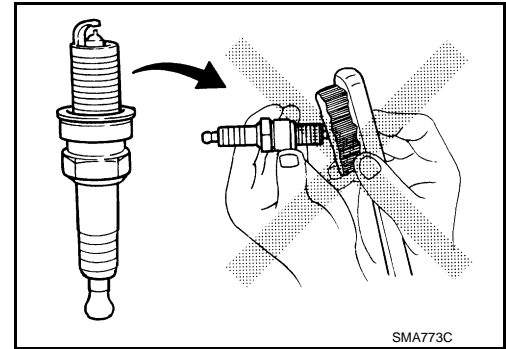
- Never drop or shock spark plug.
- Never use a wire brush for cleaning.
- If plug tip is covered with carbon, use spark plug cleaner to clean.

Cleaner air pressure

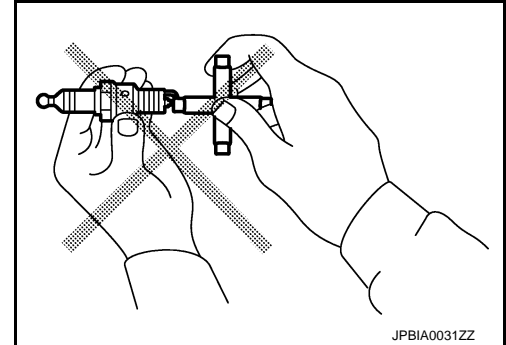
: Less than 588 kPa (6 kg/cm², 85 psi)

Cleaning time

: Less than 20 seconds



- Check and adjustment of plug gap is not required between change intervals.



EVAP VAPOR LINES

EVAP VAPOR LINES : Inspection

INFOID:000000005946806

1. Visually inspect EVAP vapor lines for improper attachment and for cracks, damage, loose connections, chafing and deterioration.
2. Inspect fuel tank filler cap vacuum relief valve for clogging, sticking, etc.
Refer to [EC-532, "Inspection"](#).

ENGINE MAINTENANCE (VK56VD)

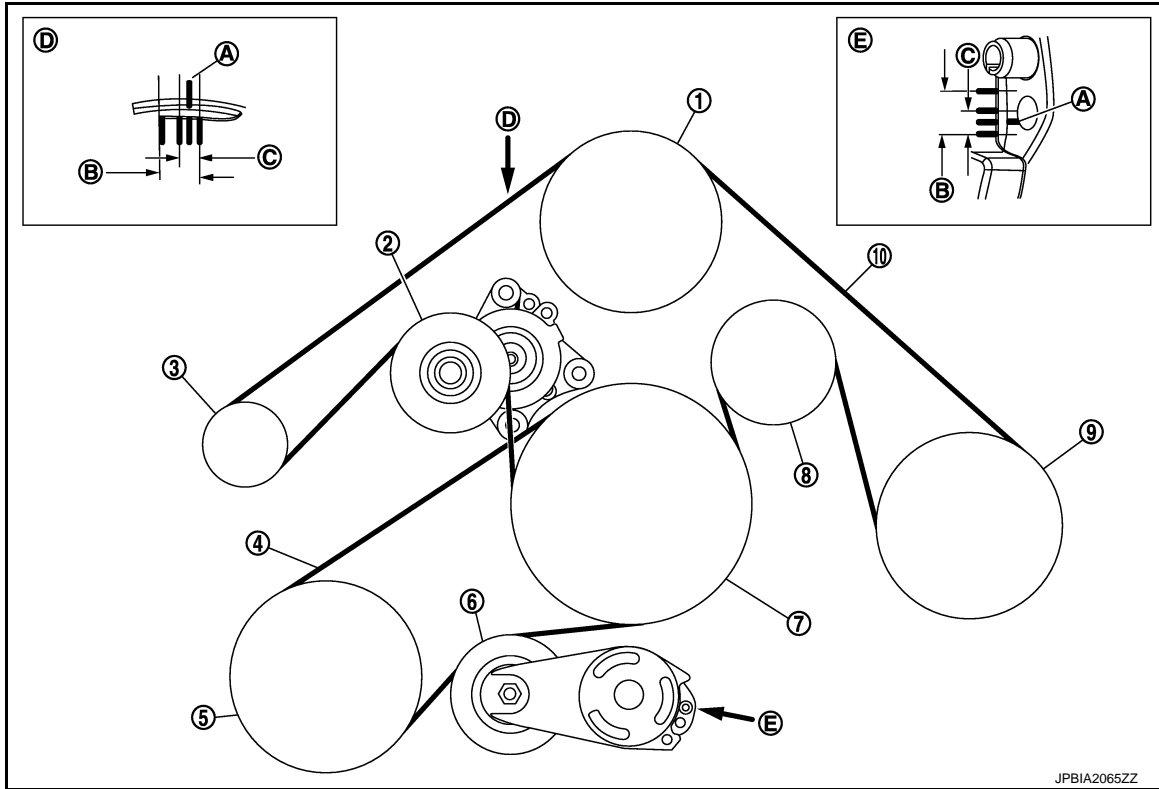
< PERIODIC MAINTENANCE >

ENGINE MAINTENANCE (VK56VD)

DRIVE BELT

DRIVE BELT : Exploded View

INFOID:000000006115402



- | | | |
|--|--|--|
| 1. Water pump | 2. Auto-tensioner (for alternator, water pump and A/C compressor belt) | 3. Alternator |
| 4. Power steering oil pump belt | 5. Power steering oil pump | 6. Auto-tensioner (for power steering oil pump belt) |
| 7. Crankshaft pulley | 8. Idler pulley | 9. A/C compressor |
| 10. Alternator, water pump and A/C compressor belt | | |
| A. Indicator | B. Possible use range | C. Range when new drive belt is installed |
| D. View D | E. View E | |

DRIVE BELT : Checking

INFOID:000000006115403

WARNING:

Be sure to perform the these steps when engine is stopped.

- Remove air duct (inlet) when inspecting alternator, water pump and A/C compressor belt.
- Remove engine undercover with power tool when inspecting power steering oil pump belt.
- Check that the indicator (A) (notch on fixed side) of each auto-tensioner is within the possible use range (B).

NOTE:

- Check the each auto-tensioners indication when the engine is cold.
- When new drive belts is installed, the indicator (notch on fixed side) should be within the range (C) in the figure.
- Visually check all drive belts for wear, damage or cracks.
- If the indicator (notch on fixed side) is out of the possible use range or drive belts are damaged, replace drive belts.

MA

ENGINE MAINTENANCE (VK56VD)

< PERIODIC MAINTENANCE >

DRIVE BELT : Tension Adjustment

INFOID:000000006115404

Refer to [EM-300, "Drive Belts"](#).

ENGINE COOLANT

ENGINE COOLANT : Draining

INFOID:000000006115412

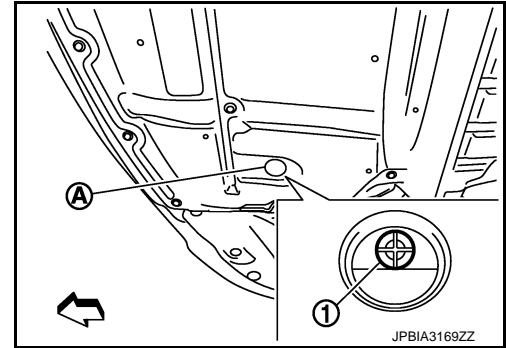
WARNING:

- Never change engine coolant when the engine is hot to avoid being scalded.
- Wrap a thick cloth around radiator cap and carefully remove radiator cap. First, turn radiator cap a quarter of a turn to release built-up pressure. Then turn radiator cap all the way.
- Never spill engine coolant on drive belt.

1. Open radiator drain plug (1) at the bottom of radiator, and then remove radiator cap.

A : Radiator drain plug hole

⇐ : Vehicle front



When draining all of engine coolant in the system, open water drain plug on cylinder block. Refer to [EM-274, "Disassembly and Assembly"](#).

2. Remove reservoir tank if necessary, and drain engine coolant and clean reservoir tank before installing.
3. Check drained engine coolant for contaminants such as rust, corrosion or discoloration. If contaminated, flush the engine cooling system. Refer to [MA-26, "ENGINE COOLANT : Flushing"](#).

ENGINE COOLANT : Refilling

INFOID:000000006115413

1. Remove air cleaner case (LH) and air duct (inlet). Refer to [EM-184, "Exploded View"](#).
2. Install reservoir tank if removed, and radiator drain plug.

CAUTION:

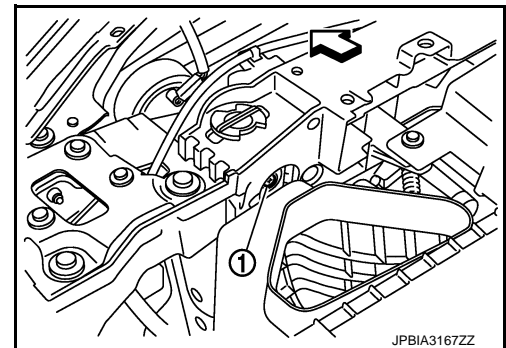
Be sure to clean drain plug and install with new O-ring.

 : 1.2 N·m (0.12 kg·m, 11 in·lb)

If water drain plug on cylinder block is removed, close and tighten it. Refer to [EM-274, "Disassembly and Assembly"](#).

3. Check that each hose clamp is firmly tightened.
4. Remove air relief plug (1) on radiator left side.

⇐ : Vehicle front

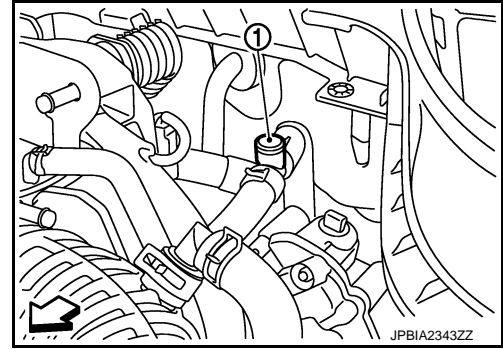


ENGINE MAINTENANCE (VK56VD)

< PERIODIC MAINTENANCE >

5. Remove air relief plug (1) on heater hose side.

↶ : Vehicle front



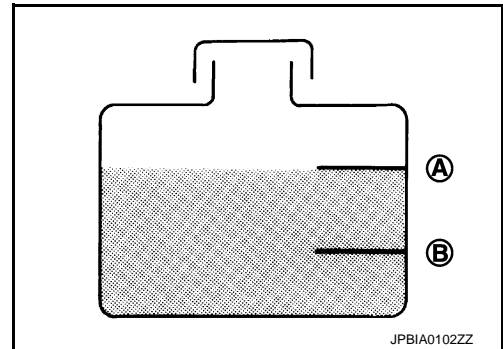
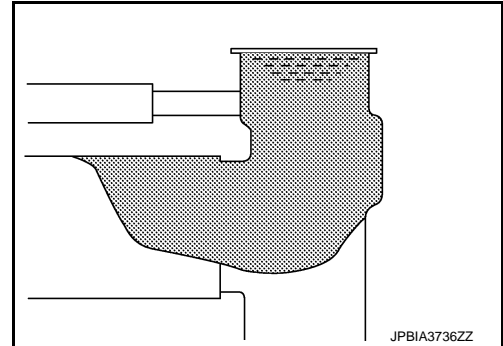
6. Fill up the radiator with cooling water.
- Pour engine coolant through engine coolant filler neck slowly of less than 2 ℓ (2-1/8 US qt, 1-3/4 Imp qt) a minute to allow air in system to escape.
 - Use Genuine NISSAN Long Life Antifreeze/Coolant or an equivalent mixed with water (distilled or demineralized). Refer to [MA-12, "Fluids and Lubricants"](#).

Engine coolant capacity (With reservoir tank at "MAX" level) : Refer to [CO-50, "Periodical Maintenance Specification"](#).

Reservoir tank engine coolant capacity (At "MAX" level) : Refer to [CO-50, "Periodical Maintenance Specification"](#).

A : MAX

B : MIN



7. When engine coolant overflows air relief hole on radiator, install air relief plug with new O-ring.

 : 1.2 N·m (0.12 kg·m, 11 in·lb)

8. Refill reservoir tank to "MAX" level line with engine coolant.
9. When engine coolant overflows air relief hole on heater hose, install air relief plug with new O-ring. Then refill radiator with engine coolant.

 : 1.2 N·m (0.12 kg·m, 11 in·lb)

10. Install air cleaner case (LH) and air duct (inlet).
11. Install radiator cap.
12. Warm up engine until opening thermostat. Standard for warming-up time is approximately 10 minutes at 3,000 rpm.
- Check thermostat opening condition by touching radiator hose (lower) to see a flow of warm water.
- CAUTION:**
Watch water temperature gauge so as not to overheat engine.
13. Stop the engine and cool down to less than approximately 50°C (122°F).
- Cool down using fan to reduce the time.
 - If necessary, refill radiator up to filler neck with engine coolant.
 - Remove the radiator cap to check the fluid level. If the fluid level is low, refill with cooling water and repeat the steps from Step 8.

ENGINE MAINTENANCE (VK56VD)

< PERIODIC MAINTENANCE >

14. Refill reservoir tank to "MAX" level line with engine coolant.
15. Check cooling system for leakage with engine running.
16. Check flow noise, according to the following steps.

CAUTION:

To check flow noise, turn OFF the radio and close the windows, doors, and the hood.

- a. Allow the engine to become cold (approximately 50°C or less).
- b. Start the engine, maintain 1000 rpm for approximately 30 seconds, and increase the engine speed from 1000 to 3000 rpm. Repeat this cycle three times.
- c. Check that flow noise can be heard from the heater core during the Step b operation.
- d. If flow noise can be heard, repeat from Step 12 of Refilling to Step c of Flow Noise Verification Method.
- e. Check that the reservoir tank cap is tightened.

ENGINE COOLANT : Flushing

INFOID:000000006115414

1. Install reservoir tank if removed, and radiator drain plug.

CAUTION:

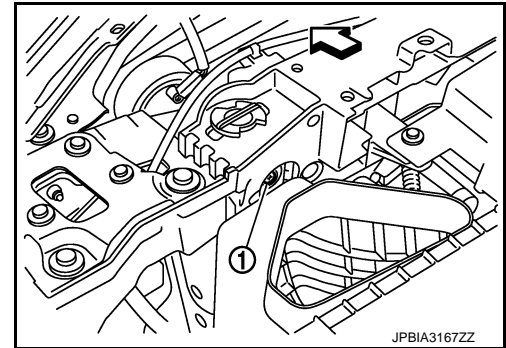
Be sure to clean drain plug and install with new O-ring.

 : 1.2 N·m (0.12 kg-m, 11 in-lb)

If water drain plug on cylinder block is removed, close and tighten it. Refer to [EM-274, "Disassembly and Assembly"](#).

2. Remove air relief plug (1) on radiator.

 : Vehicle front



3. Fill water inlet with water until water spills from the air relief holes, then close air relief plugs. Fill water inlet and reservoir tank with water and reinstall radiator cap.

 : 1.2 N·m (0.12 kg-m, 11 in-lb)

4. Run the engine and warm it up to normal operating temperature.
5. Rev the engine two or three times under no-load.
6. Stop the engine and wait until it cools down.
7. Drain water from the system. Refer to [MA-24, "ENGINE COOLANT : Draining"](#).
8. Repeat steps 1 through 7 until clear water begins to drain from radiator.
9. Check that the reservoir tank cap is tightened.

RADIATOR CAP

RADIATOR CAP : Inspection

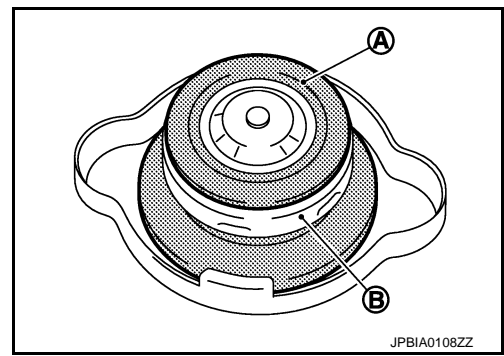
INFOID:000000006115415

- Check valve seat of radiator cap.

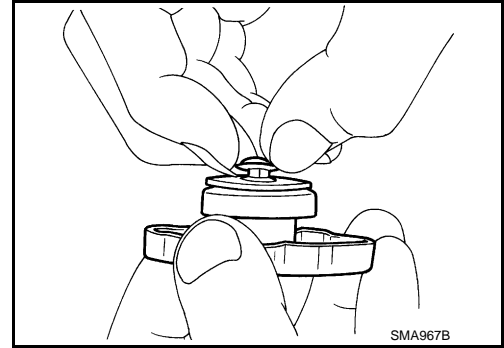
ENGINE MAINTENANCE (VK56VD)

< PERIODIC MAINTENANCE >

- Check if valve seat (A) is swollen to the extent that the edge of the metal plunger (B) cannot be seen when watching it vertically from the top.
- Check if valve seat has no soil and damage.

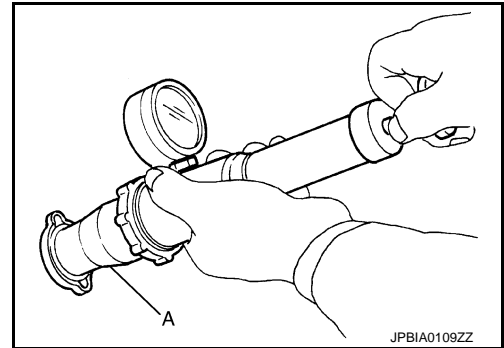


- Pull negative-pressure valve to open it, and check that it close completely when released.
- Check that there is no dirt or damage on the valve seat of radiator cap negative-pressure valve.
- Check that there are no unusualness in the opening and closing conditions of negative-pressure valve.



- Check radiator cap relief pressure.
- When connecting radiator cap to the radiator cap tester (commercial service tool) and the radiator cap tester adapter (commercial service tool) (A), apply engine coolant to the cap seal surface.

Standard and limit : Refer to [CO-50, "Radiator"](#).



- Replace radiator cap if there is an unusualness related to the above three.

CAUTION:

When installing radiator cap, thoroughly wipe out the water inlet filler neck to remove any waxy residue or foreign material.

RADIATOR

RADIATOR : Inspection

INFOID:000000006115416

Check radiator for mud or clogging. If necessary, clean radiator as per the following:

- Be careful not to bend or damage radiator fins.
 - When radiator is cleaned without removal, remove all surrounding parts such as radiator cooling fan assembly and horns. Then tape harness and connectors to prevent water from entering.
1. Apply water by hose to the back side of the radiator core vertically downward.
 2. Apply water again to all radiator core surfaces once per minute.
 3. Stop washing if any stains no longer flow out from radiator.
 4. Blow air into the back side of radiator core vertically downward.
 - Use compressed air lower than 490 kPa (5 kg/cm², 71 psi) and keep distance more than 30 cm (11.8 in).
 5. Blow air again into all the radiator core surfaces once per minute until no water sprays out.

FUEL LINES

ENGINE MAINTENANCE (VK56VD)

< PERIODIC MAINTENANCE >

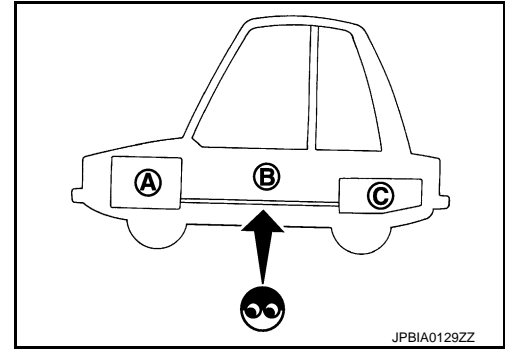
FUEL LINES : Inspection

INFOID:000000006115417

Inspect fuel lines, fuel filler cap and fuel tank for improper attachment, leakage, cracks, damage, loose connections, chafing or deterioration.

- A : Engine
- B : Fuel line
- C : Fuel tank

If necessary, repair or replace damaged parts.



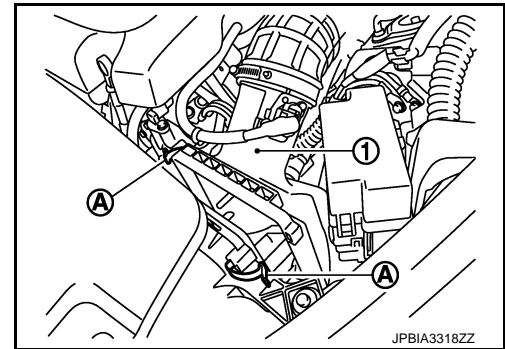
AIR CLEANER FILTER

AIR CLEANER FILTER : Removal and Installation

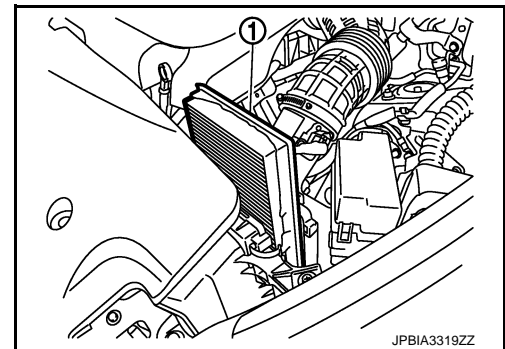
INFOID:000000006115405

REMOVAL

1. Unhook clips (A), and move the air cleaner cover assembly (1).



2. Remove air cleaner filter (1).



INSTALLATION

Note the following item, and install in the reverse order of removal.

- Install the air cleaner filter by aligning the seal with the notch of air cleaner case.

ENGINE OIL

ENGINE OIL : Draining

INFOID:000000006115408

WARNING:

- Be careful not to get burned, as engine oil may be hot.
- Prolonged and repeated contact with used engine oil may cause skin cancer. Try to avoid direct skin contact with used engine oil. If skin contact is made, wash thoroughly with soap or hand cleaner as soon as possible.

1. Warm up the engine, and check for engine oil leakage from engine components. Refer to [LU-23, "Inspection"](#).
2. Stop the engine and wait for 15 minutes.

ENGINE MAINTENANCE (VK56VD)

< PERIODIC MAINTENANCE >

3. Loosen oil filler cap.
4. Remove drain plug and then drain engine oil.

ENGINE OIL : Refilling

INFOID:000000006115409

1. Install drain plug with new washer.

CAUTION:

Be sure to clean drain plug and install with new washer.

Tightening torque

2WD models : Refer to [EM-203, "2WD : Exploded View"](#).

AWD models : Refer to [EM-206, "AWD : Exploded View"](#).

2. Refill with new engine oil.

Engine oil specification and viscosity:

Refer to [MA-12, "Fluids and Lubricants"](#).

Engine oil capacity : Refer to [LU-31, "Periodical Maintenance Specification"](#).

CAUTION:

- The refill capacity depends on the engine oil temperature and drain time. Use these specifications for reference only.
- Always use oil level gauge to determine the proper amount of engine oil in engine.

3. Warm up the engine and check area around drain plug and oil filter for engine oil leakage.
4. Stop the engine and wait for 15 minutes.
5. Check the engine oil level. Refer to [LU-23, "Inspection"](#).

OIL FILTER

OIL FILTER : Removal and Installation

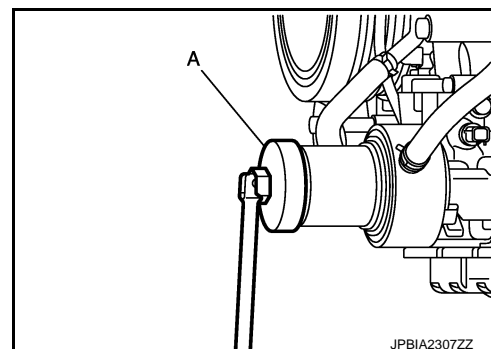
INFOID:000000006115410

REMOVAL

CAUTION:

- Oil filter is provided with relief valve. Use genuine NISSAN oil filter or an equivalent.
- Be careful not to get burned when engine and engine oil may be hot.
- When removing, prepare a shop cloth to absorb any engine oil leakage or spillage.
- Never allow engine oil to adhere to drive belts.
- Completely wipe off any engine oil that adheres to engine and vehicle.

1. Remove engine undercover with power tool.
2. Using oil filter wrench [SST: KV10115801 (J38956)] (A), remove oil filter.



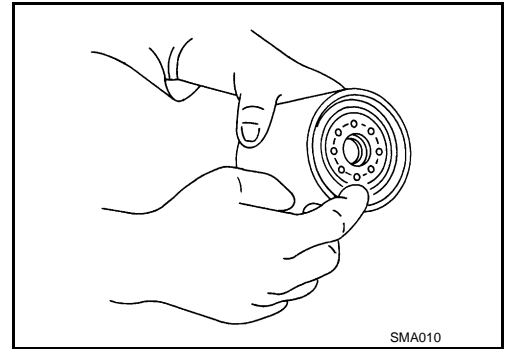
INSTALLATION

1. Remove foreign matter adhering to oil filter installation surface.

ENGINE MAINTENANCE (VK56VD)

< PERIODIC MAINTENANCE >

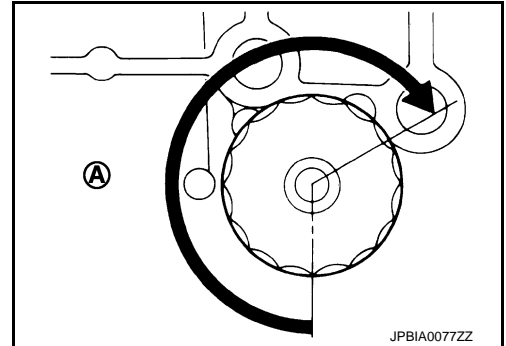
2. Apply engine oil to the oil seal contact surface of new oil filter.



3. Screw oil filter manually until it touches the installation surface, then tighten it by 2/3 turn (A). Or tighten to the specification.

Oil filter:

: 17.7 N·m (1.8 kg-m, 13 ft-lb)



OIL FILTER : Inspection

INFOID:000000006115411

INSPECTION AFTER INSTALLATION

1. Check the engine oil level. Refer to [LU-23, "Inspection"](#).
2. Start the engine, and check there is no leakage of engine oil.
3. Stop the engine and wait for 15 minutes.
4. Check the engine oil level, and adjust the level. Refer to [LU-23, "Inspection"](#).

SPARK PLUG

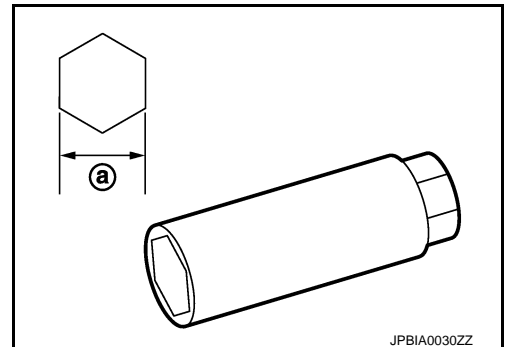
SPARK PLUG : Removal and Installation

INFOID:000000006115406

REMOVAL

1. Remove engine cover. Refer to [EM-182, "Exploded View"](#).
2. Remove air duct.
3. Remove the harness bracket. (bank 2 side)
4. Remove ignition coil. Refer to [EM-186, "Exploded View"](#).
5. Remove spark plug with a spark plug wrench (commercial service tool).

a : 14 mm (0.55 in)



INSTALLATION

Installation is the reverse order of removal.

ENGINE MAINTENANCE (VK56VD)

< PERIODIC MAINTENANCE >

SPARK PLUG : Inspection

INFOID:000000006115407

INSPECTION AFTER REMOVAL

Use the standard type spark plug for normal condition.

Spark plug (Standard type) : Refer to [EM-300, "Spark Plug"](#).

CAUTION:

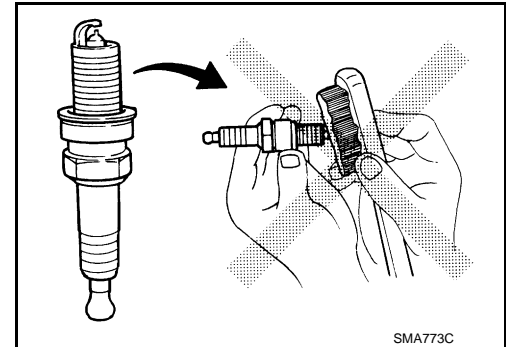
- Never drop or impact spark plug.
- Never use a wire brush for cleaning.
- If plug tip is covered with carbon, use spark plug cleaner to clean.

Cleaner air pressure

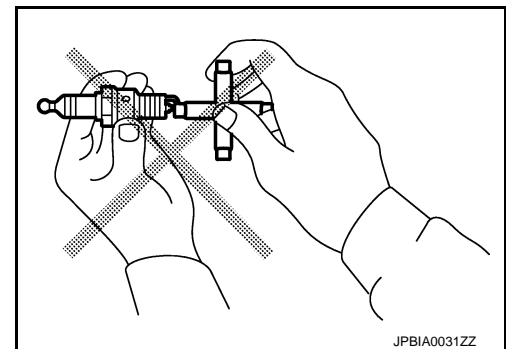
: Less than 588 kPa (6 kg/cm², 85 psi)

Cleaning time

: Less than 20 seconds



- Measure spark plug gap. When it exceeds the limit, replace spark plug even if it is within the specified replacement mileage. Refer to [EM-300, "Spark Plug"](#).
- Spark plug gap adjustment is not required between replacement intervals.



EVAP VAPOR LINES

EVAP VAPOR LINES : Inspection

INFOID:000000005947729

1. Visually inspect EVAP vapor lines for improper attachment and for cracks, damage, loose connections, chafing and deterioration.
2. Inspect fuel tank filler cap vacuum relief valve for clogging, sticking, etc.
Refer to [EC-1100, "Inspection"](#).

CHASSIS MAINTENANCE

< PERIODIC MAINTENANCE >

CHASSIS MAINTENANCE

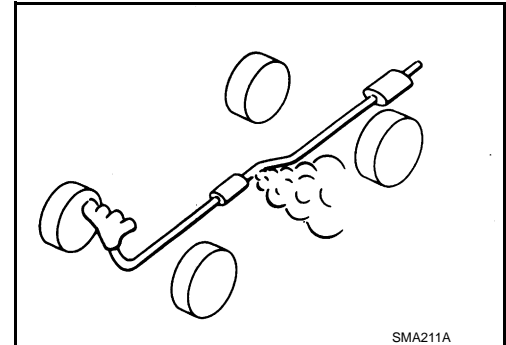
EXHAUST SYSTEM

EXHAUST SYSTEM : Inspection

INFOID:000000006115434

Check exhaust pipes, muffler and mounting for improper attachment, leaks, cracks, damage or deterioration.

- If anything is found, repair or replace damaged parts.



TRANSFER FLUID

TRANSFER FLUID : Inspection

INFOID:000000006115435

FLUID LEAKAGE

Check transfer surrounding area (oil seal, drain plug, and filler plug etc.) for fluid leakage.

FLUID LEVEL

1. Remove filler plug (1) and gasket. Then check that fluid is filled up from mounting hole for the filler plug.

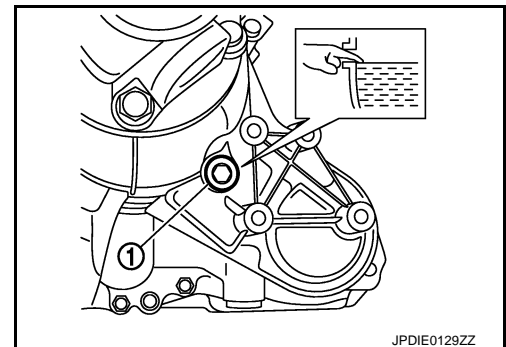
CAUTION:

Never start engine while checking fluid level.

2. Set a new gasket onto filler plug, and install it on transfer and tighten to the specified torque. Refer to [DLN-68. "Exploded View"](#).

CAUTION:

Never reuse gasket.



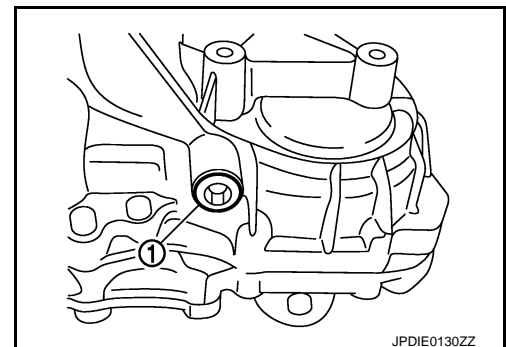
TRANSFER FLUID : Draining

INFOID:000000006115436

1. Run the vehicle to warm up the transfer unit sufficiently.
2. Stop the engine, and remove the drain plug (1) to drain the transfer fluid.
3. Set a new gasket onto the drain plug, and install it on the transfer and tighten to the specified torque. Refer to [DLN-68. "Exploded View"](#).

CAUTION:

Never reuse gasket.



CHASSIS MAINTENANCE

< PERIODIC MAINTENANCE >

TRANSFER FLUID : Refilling

INFOID:000000006115437

1. Remove filler plug (1) and gasket. Then fill fluid up to mounting hole for the filler plug.

Fluid and viscosity : Refer to [MA-12, "Fluids and Lubricants"](#).

Fluid capacity : Refer to [DLN-87, "General Specifications"](#).

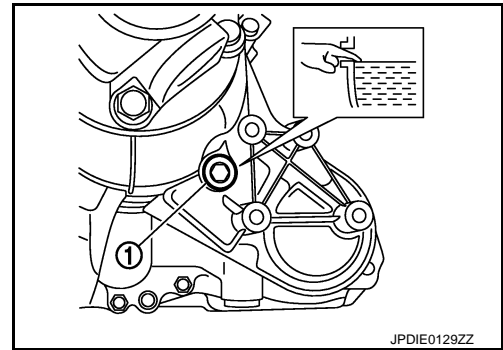
CAUTION:

Carefully fill the fluid. (Fill up for approximately 3 minutes.)

2. Leave the vehicle for 3 minutes, and check the fluid level again.
3. Set a new gasket onto filler plug, and install it on transfer and tighten to the specified torque. Refer to [DLN-68, "Exploded View"](#).

CAUTION:

Never reuse gasket.



FRONT PROPELLER SHAFT: 2S56A

FRONT PROPELLER SHAFT: 2S56A : Inspection

INFOID:000000006115438

NOISE

Check the propeller shaft tube surface for dents or cracks. If damaged, replace propeller shaft assembly.

VIBRATION

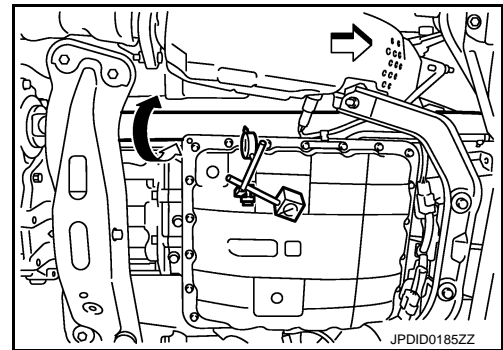
If vibration is present at high speed, inspect propeller shaft runout first.

1. With a dial indicator, measure propeller shaft runout at runout measuring points by rotating final drive companion flange with hands.

←: Vehicle front

Propeller shaft runout : Refer to [DLN-96, "Propeller Shaft Runout"](#).

2. If runout still exceeds specifications, separate propeller shaft at final drive companion flange; then rotate companion flange 90, 180, 270 degrees and install propeller shaft.
3. Check runout again. If runout still exceeds specifications, replace propeller shaft assembly.
4. Check the vibration by driving vehicle.



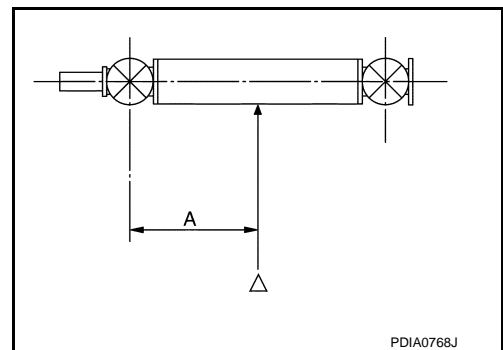
RUNOUT MEASURING POINT

Propeller shaft runout measuring point (Point "△").

Dimension A

VQ37VHR : 381.5 mm (15.02 in)

VK56VD : 386.5 mm (15.22 in)



REAR PROPELLER SHAFT: 3S80A-R

A
B
C
D
E
F
G
H
I
J
K
L
M
N
O

MA

CHASSIS MAINTENANCE

< PERIODIC MAINTENANCE >

REAR PROPELLER SHAFT: 3S80A-R : Inspection

INFOID:000000006115439

NOISE

- Check the propeller shaft tube surface for dents or cracks. If damaged, replace propeller shaft assembly.
- If center bearing is noisy or damaged, replace propeller shaft assembly.

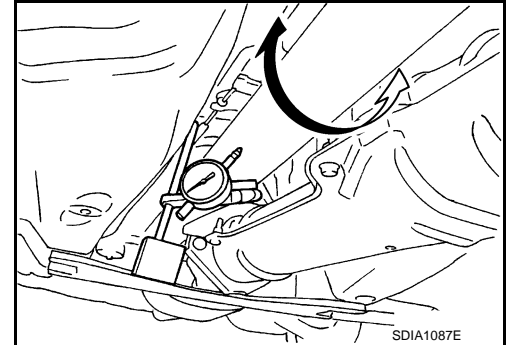
VIBRATION

If vibration is present at high speed, inspect propeller shaft runout first.

1. With a dial indicator, measure propeller shaft runout at runout measuring points by rotating final drive companion flange with hands.

Propeller shaft runout : Refer to [DLN-104, "Propeller Shaft Runout"](#).

2. If runout still exceeds specifications, separate propeller shaft at final drive companion flange; then rotate companion flange 120, 240 degrees and install propeller shaft.
3. Check runout again. If runout still exceeds specifications, replace propeller shaft assembly.
4. Check the vibration by driving vehicle.



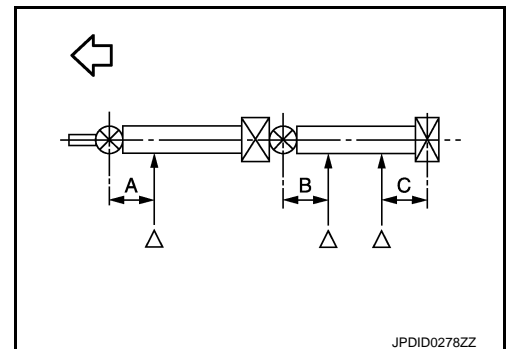
RUNOUT MEASURING POINT

Propeller shaft runout measuring point (Point "Δ").

←: Vehicle front

Dimension

- A** : 172 mm (6.77 in)
B : 172 mm (6.77 in)
C : 172 mm (6.77 in)



REAR PROPELLER SHAFT: 3F80A-R

REAR PROPELLER SHAFT: 3F80A-R : Inspection

INFOID:000000006115440

NOISE

- Check the propeller shaft tube surface for dents or cracks. If damaged, replace propeller shaft assembly.
- If center bearing is noisy or damaged, replace propeller shaft assembly.

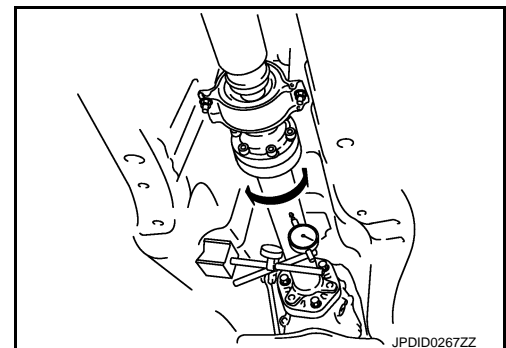
VIBRATION

If vibration is present at high speed, inspect propeller shaft runout first.

1. With a dial indicator, measure propeller shaft runout at runout measuring points by rotating final drive companion flange with hands.

Propeller shaft runout : Refer to [DLN-112, "Propeller Shaft Runout"](#).

2. If runout still exceeds specifications, separate propeller shaft at final drive companion flange, then rotate companion flange 60, 120, 180, 240, 300 degrees and install propeller shaft.
3. Check runout again. If runout still exceeds specifications, replace propeller shaft assembly.
4. Check the vibration by driving vehicle.



RUNOUT MEASURING POINT

CHASSIS MAINTENANCE

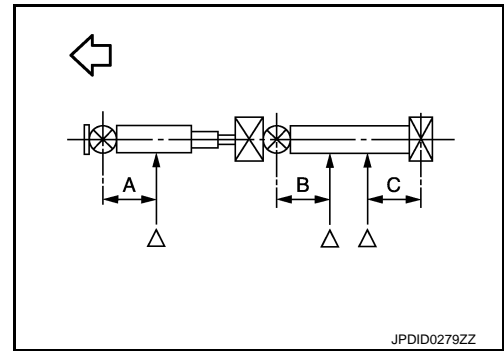
< PERIODIC MAINTENANCE >

Propeller shaft runout measuring point (Point "△").

↔: Vehicle front

Dimension

- A** : 192 mm (7.56 in)
- B** : 172 mm (6.77 in)
- C** : 172 mm (6.77 in)



FRONT DIFFERENTIAL GEAR OIL: F160A

FRONT DIFFERENTIAL GEAR OIL: F160A : Inspection

INFOID:000000006115441

OIL LEAKAGE

Make sure that oil is not leaking from final drive assembly or around it.

OIL LEVEL

- Remove filler plug (1) and check oil level from filler plug mounting hole as shown in the figure.

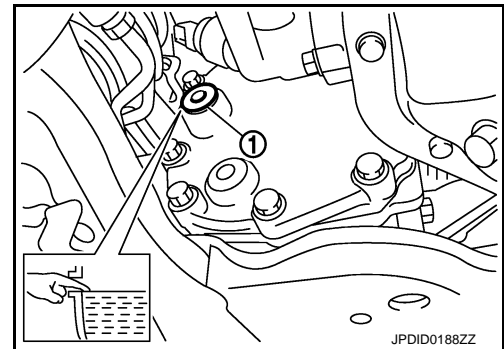
CAUTION:

Never start engine while checking oil level.

- Set a gasket on filler plug (1) and install it on final drive assembly. Refer to [DLN-132](#). "Exploded View".

CAUTION:

Never reuse gasket.



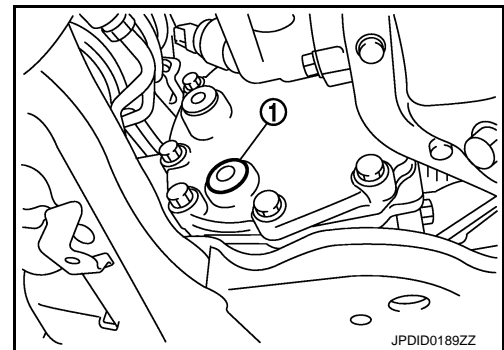
FRONT DIFFERENTIAL GEAR OIL: F160A : Draining

INFOID:000000006115442

1. Stop engine.
2. Remove drain plug (1) and drain gear oil.
3. Set a gasket on drain plug (1) and install it to final drive assembly and tighten to the specified torque. Refer to [DLN-132](#). "Exploded View".

CAUTION:

Never reuse gasket.



FRONT DIFFERENTIAL GEAR OIL: F160A : Refilling

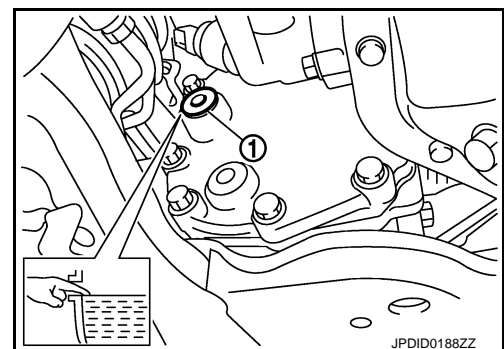
INFOID:000000006115443

1. Remove filler plug (1). Fill with new gear oil until oil level reaches the specified level near filler plug mounting hole.

Oil grade and Viscosity : Refer to [MA-12](#). "Fluids and Lubricants".

Oil capacity : Refer to [DLN-157](#). "General Specifications".

2. After refilling oil, check oil level. Set a gasket to filler plug (1), then install it to final drive assembly. Refer to [DLN-132](#). "Exploded View".



A
B
C
D
E
F
G
H
I
J
K
L
M
N
O

MA

CHASSIS MAINTENANCE

< PERIODIC MAINTENANCE >

CAUTION:

Never reuse gasket.

REAR DIFFERENTIAL GEAR OIL: R200

REAR DIFFERENTIAL GEAR OIL: R200 : Inspection

INFOID:000000006115491

OIL LEAKAGE

- Make sure that oil is not leaking from final drive assembly or around it.

OIL LEVEL

- Remove filler plug (1) and check oil level from filler plug mounting hole as shown in the figure.

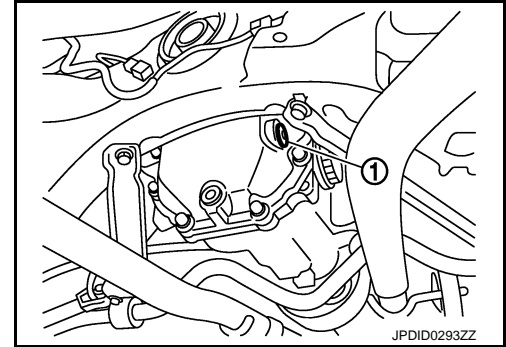
CAUTION:

Never start engine while checking oil level.

- Set a gasket on filler plug (1) and install it on final drive assembly. Refer to [DLN-173, "Exploded View"](#).

CAUTION:

Never reuse gasket.



JPDID0293ZZ

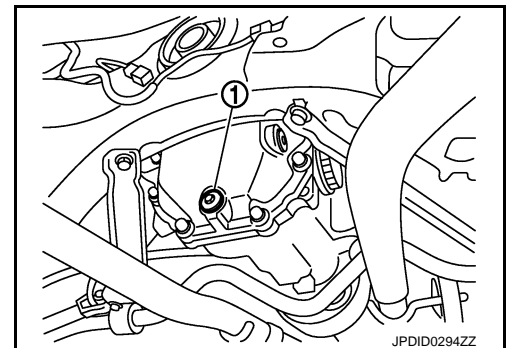
REAR DIFFERENTIAL GEAR OIL: R200 : Draining

INFOID:000000006115492

1. Stop engine.
2. Remove drain plug (1) and drain gear oil.
3. Set a gasket on drain plug (1) and install it to final drive assembly and tighten to the specified torque. Refer to [DLN-173, "Exploded View"](#).

CAUTION:

Never reuse gasket.



JPDID0294ZZ

REAR DIFFERENTIAL GEAR OIL: R200 : Refilling

INFOID:000000006115493

1. Remove filler plug (1). Fill with new gear oil until oil level reaches the specified level near filler plug mounting hole.

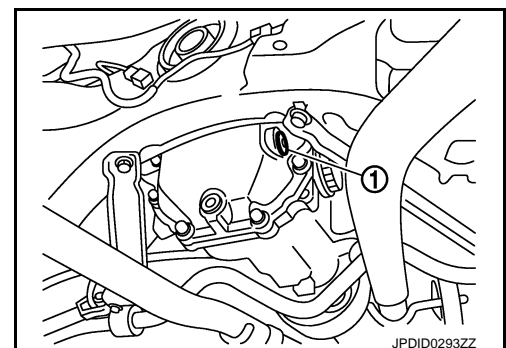
Oil grade and viscosity : Refer to [MA-12, "Fluids and Lubricants"](#).

Oil capacity : Refer to [DLN-195, "General Specifications"](#).

2. After refilling oil, check oil level. Set a gasket to filler plug (1), then install it to final drive assembly. Refer to [DLN-173, "Exploded View"](#).

CAUTION:

Never reuse gasket.



JPDID0293ZZ

REAR DIFFERENTIAL GEAR OIL: R208

REAR DIFFERENTIAL GEAR OIL: R208 : Inspection

INFOID:000000006115496

OIL LEAKAGE

- Make sure that oil is not leaking from final drive assembly or around it.

CHASSIS MAINTENANCE

< PERIODIC MAINTENANCE >

OIL LEVEL

- Remove filler plug (1) and check oil level from filler plug mounting hole as shown in the figure.

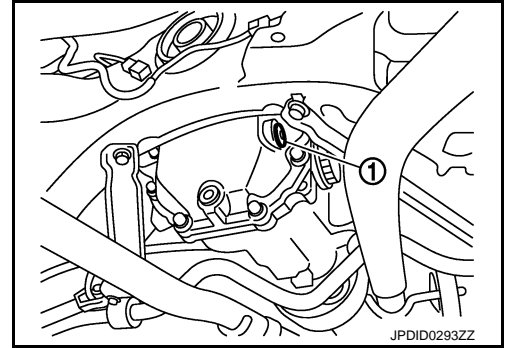
CAUTION:

Never start engine while checking oil level.

- Set a gasket on filler plug (1) and install it on final drive assembly. Refer to [DLN-212, "Exploded View"](#).

CAUTION:

Never reuse gasket.



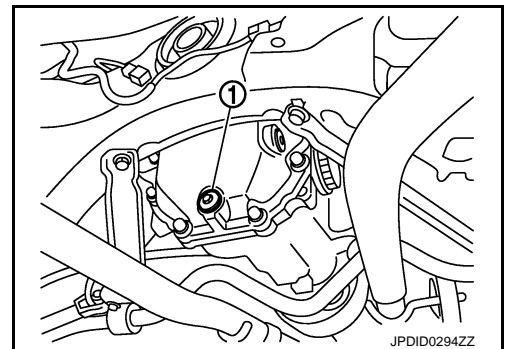
REAR DIFFERENTIAL GEAR OIL: R208 : Draining

INFOID:000000006115497

1. Stop engine.
2. Remove drain plug (1) and drain gear oil.
3. Set a gasket on drain plug (1) and install it to final drive assembly and tighten to the specified torque. Refer to [DLN-212, "Exploded View"](#).

CAUTION:

Never reuse gasket.



REAR DIFFERENTIAL GEAR OIL: R208 : Refilling

INFOID:000000006115498

1. Remove filler plug (1). Fill with new gear oil until oil level reaches the specified level near filler plug mounting hole.

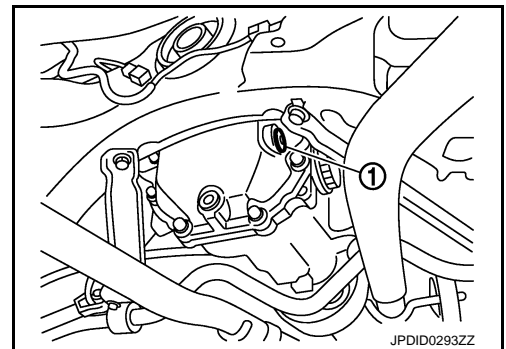
Oil grade and viscosity : Refer to [MA-12, "Fluids and Lubricants"](#).

Oil capacity : Refer to [DLN-231, "General Specifications"](#).

2. After refilling oil, check oil level. Set a gasket to filler plug (1), then install it to final drive assembly. Refer to [DLN-212, "Exploded View"](#).

CAUTION:

Never reuse gasket.



WHEELS (BONDING WEIGHT TYPE)

WHEELS (BONDING WEIGHT TYPE) : Adjustment

INFOID:000000006115499

BALANCING WHEELS (BONDING WEIGHT TYPE)

Preparation Before Adjustment

Using releasing agent, remove double-faced adhesive tape from the road wheel.

CAUTION:

- **Be careful not to scratch the road wheel during removal.**
- **After removing double-faced adhesive tape, wipe clean traces of releasing agent from the road wheel.**

Wheel Balance Adjustment

If a tire balance machine has adhesion balance weight mode settings and drive-in weight mode setting, select and adjust a drive-in weight mode suitable for road wheels.

A
B
C
D
E
F
G
H
I
J
K
L
M
N
O

CHASSIS MAINTENANCE

< PERIODIC MAINTENANCE >

1. Set road wheel on tire balance machine using the center hole as a guide. Start the tire balance machine.
2. When inner and outer unbalance values are shown on the tire balance machine indicator, multiply outer unbalance value by $5/3$ to determine balance weight that should be used. Select the outer balance weight with a value closest to the calculated value above and install to the designated outer position of, or at the designated angle in relation to the road wheel.

CAUTION:

- Never install the inner balance weight before installing the outer balance weight.
- Before installing the balance weight, always to clean the mating surface of the road wheel.

- a. Indicated unbalance value $\times 5/3 =$ balance weight to be installed

Calculation example:

$23 \text{ g (0.81 oz)} \times 5/3 = 38.33 \text{ g (1.35 oz)} \Rightarrow 37.5 \text{ g (1.32 oz)}$ balance weight (closer to calculated balance weight value)

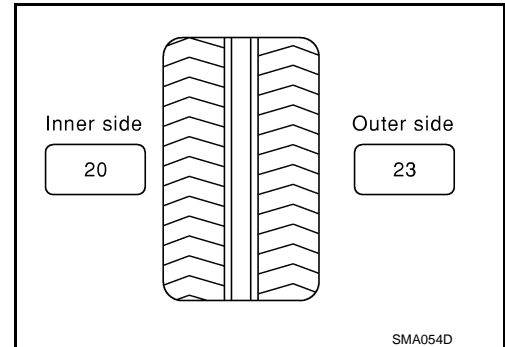
NOTE:

Note that balance weight value must be closer to the calculated balance weight value.

Example:

$36.2 \Rightarrow 35 \text{ g (1.23 oz)}$

$36.3 \Rightarrow 37.5 \text{ g (1.32 oz)}$

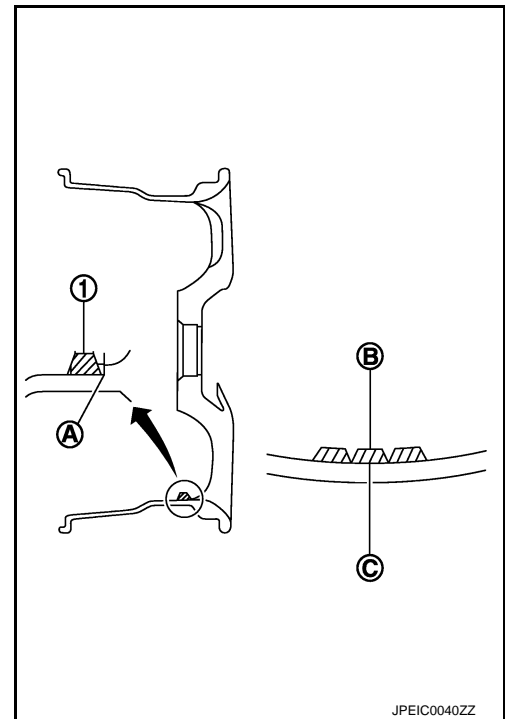


- b. Installed balance weight in the position.

- When installing balance weight (1) to road wheels, set it into the grooved area (A) on the inner wall of the road wheel as shown in the figure so that the balance weight center (B) is aligned with the tire balance machine indication position (angle) (C).

CAUTION:

- Always use genuine NISSAN adhesion balance weights.
- Balance weights are non-reusable; always replace with new ones.
- Never install more than three sheets of balance weight.



- c. If calculated balance weight value exceeds 50 g (1.76 oz), install two balance weight sheets in line with each other as shown in the figure.

CAUTION:

Never install one balance weight sheet on top of another.

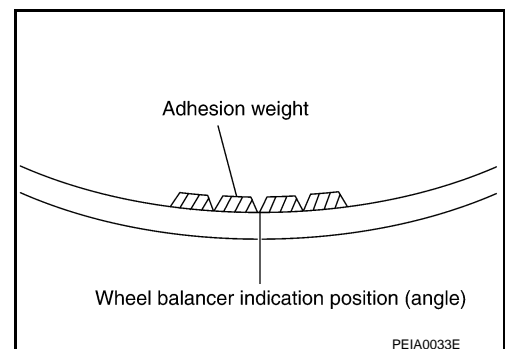
3. Start the tire balance machine again.
4. Install drive-in balance weight on inner side of road wheel in the tire balance machine indication position (angle).

CAUTION:

Never install more than two balance weight.

5. Start the tire balance machine. Check that the inner and outer residual unbalance value is within the allowable unbalance value.

CAUTION:



CHASSIS MAINTENANCE

< PERIODIC MAINTENANCE >

If either residual unbalance value exceeds limit, repeat installation procedures.

Allowable unbalance value

Dynamic (At flange) : Refer to [WT-74, "Road Wheel"](#).

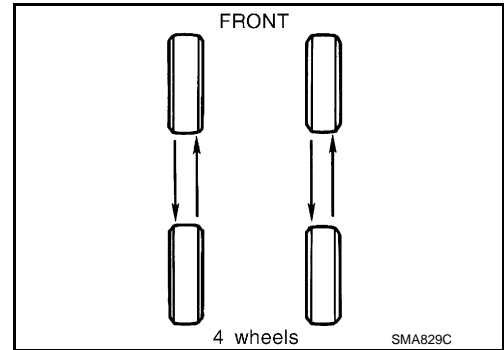
Static (At flange) : Refer to [WT-74, "Road Wheel"](#).

TIRE ROTATION

- Follow the maintenance schedule for tire rotation service intervals. Refer to [MA-5, "Explanation of General Maintenance"](#).
- When installing the wheel, tighten wheel nuts to the specified torque. Refer to [WT-68, "Exploded View"](#).

CAUTION:

- Do not include the T-type spare tire when rotating the tires.
- When installing wheels, tighten them diagonally by dividing the work two to three times in order to prevent the wheels from developing any distortion.
- Be careful not to tighten wheel nut at torque exceeding the criteria.
- Use NISSAN genuine wheel nuts for aluminum wheels.
- Perform the ID registration, after tire rotation. Refer to [WT-31, "Work Procedure"](#).

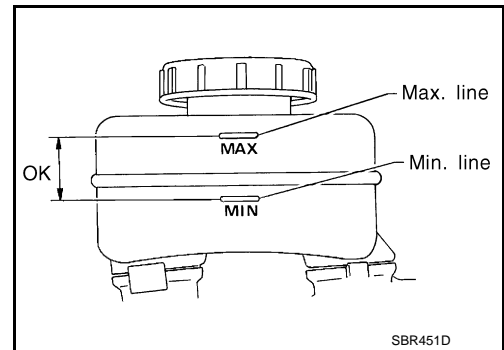


BRAKE FLUID LEVEL AND LEAKS

BRAKE FLUID LEVEL AND LEAKS : Inspection

INFOID:000000005946829

- If fluid level is extremely low, check brake system for leaks.

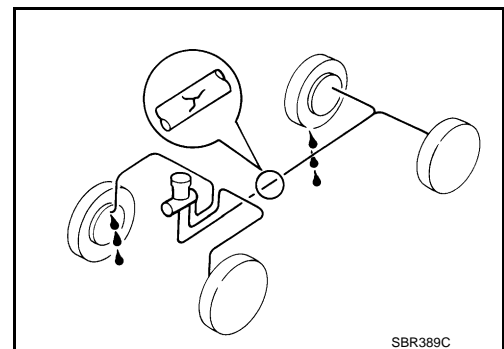


BRAKE LINES AND CABLES

BRAKE LINES AND CABLES : Inspection

INFOID:000000005946830

- Check brake fluid lines and parking brake cables for improper attachment, leaks, chafing, abrasions, deterioration, etc.



BRAKE FLUID

MA

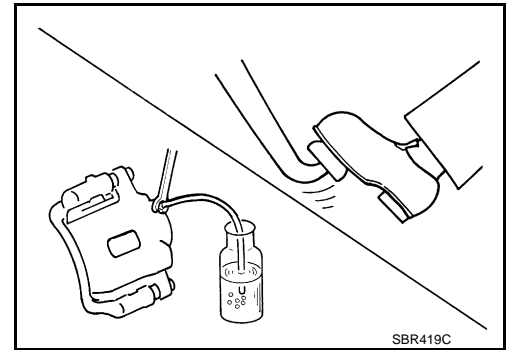
CHASSIS MAINTENANCE

< PERIODIC MAINTENANCE >

BRAKE FLUID : Changing

INFOID:000000005946831

1. Drain brake fluid from each bleed valve.
2. Refill until new brake fluid comes out from each bleed valve. Use same procedure as in bleeding hydraulic system to refill brake fluid.
Refer to [BR-11. "Bleeding Brake System"](#).
 - Refill with recommended Genuine NISSAN Super Heavy Duty Brake Fluid or equivalent DOT 3 (US FMVSS No. 116). Refer to [MA-12. "Fluids and Lubricants"](#).
 - Never reuse drained brake fluid.
 - Be careful not to splash brake fluid on painted areas.



DISC BRAKE

DISC BRAKE : Inspection

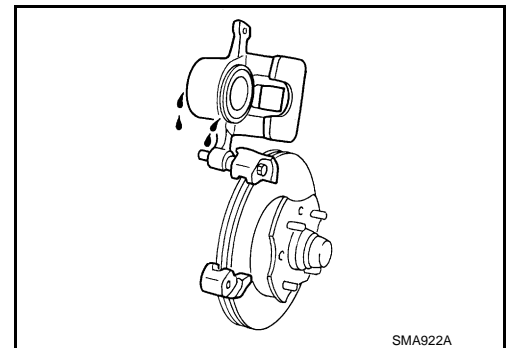
INFOID:000000005946832

DISC ROTOR

Check condition, wear, and damage.

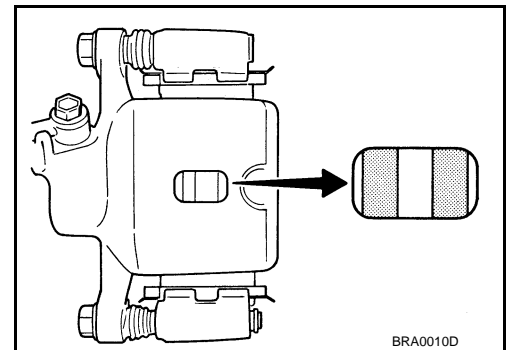
CALIPER

- Check for leakage.



BRAKE PAD

- Check for wear or damage.



DISC BRAKE : Front Disc Brake

INFOID:000000006115501

2 PISTON TYPE

Unit: mm (in)

Item		Limit
Brake pad	Wear thickness	2.0 (0.079)
	Wear thickness	26.0 (1.024)
Disc rotor	Thickness variation (measured at 8 positions)	0.015 (0.0006)
	Runout (with it attached to the vehicle)	0.035 (0.0014)

4 PISTON TYPE

CHASSIS MAINTENANCE

< PERIODIC MAINTENANCE >

Unit mm (in)

Item		Limit
Brake pad	Wear thickness	2.0 (0.079)
	Wear thickness	30.0 (1.181)
Disc rotor	Thickness variation (measured at 8 positions)	0.015 (0.0006)
	Runout (with it attached to the vehicle)	0.035 (0.0014)

DISC BRAKE : Rear Disc Brake

INFOID:000000006115502

1 PISTON TYPE

Unit: mm (in)

Item		Limit
Brake pad	Wear thickness	2.0 (0.079)
	Wear thickness	14.0 (0.551)
Disc rotor	Thickness variation (measured at 8 positions)	0.015 (0.0006)
	Runout (with it attached to the vehicle)	0.055 (0.0022)

2 PISTON TYPE

Unit: mm (in)

Item		Limit
Brake pad	Wear thickness	2.0 (0.079)
	Wear thickness	18.0 (0.709)
Disc rotor	Thickness variation (measured at 8 positions)	0.015 (0.0006)
	Runout (with it attached to the vehicle)	0.055 (0.0022)

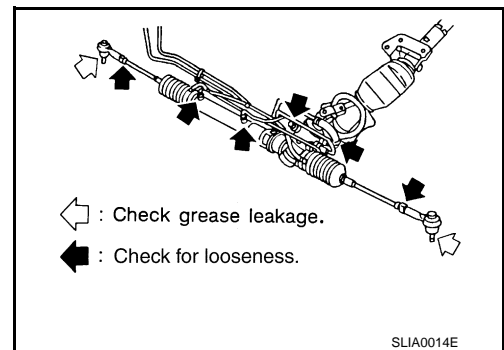
STEERING GEAR AND LINKAGE

STEERING GEAR AND LINKAGE : Inspection

INFOID:000000005946835

STEERING GEAR

- Check gear housing and boots for looseness, damage and grease leakage.
- Check connection with steering column for looseness.



STEERING LINKAGE

Check ball joint, dust cover and other component parts for looseness, wear, damage and grease leakage.

POWER STEERING FLUID AND LINES

CHASSIS MAINTENANCE

< PERIODIC MAINTENANCE >

POWER STEERING FLUID AND LINES : Inspection

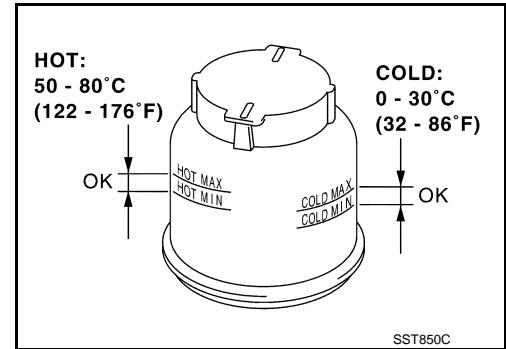
INFOID:000000005946836

Check fluid level in reservoir tank with engine off.

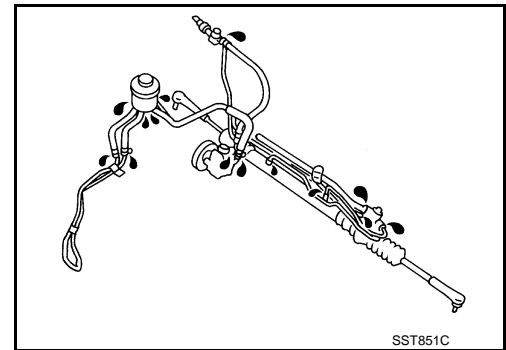
Use "HOT" range at fluid temperatures of 50 to 80°C (122 to 176°F) or "COLD" range at fluid temperatures of 0 to 30°C (32 to 86°F).

CAUTION:

- Do not overfill.
- Recommended fluid is Genuine NISSAN PSF or equivalent. Refer to [MA-12. "Fluids and Lubricants"](#).



- Check lines for improper attachment, leaks, cracks, damage, loose connections, chafing and deterioration.
- Check rack boots for accumulation of power steering fluid.



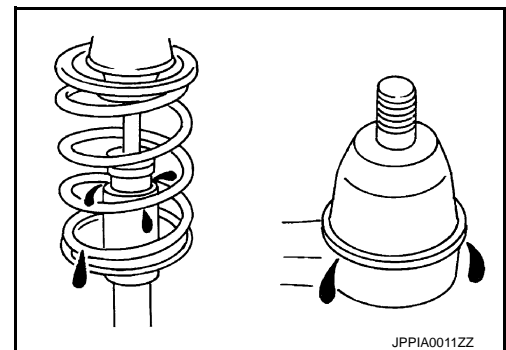
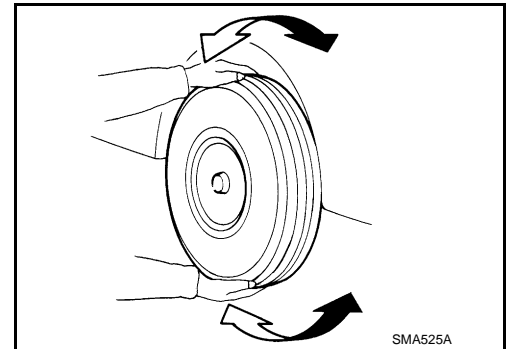
AXLE AND SUSPENSION PARTS

AXLE AND SUSPENSION PARTS : Inspection

INFOID:000000005946837

Check front and rear axle and suspension parts for excessive play, cracks, wear or other damage.

- Shake each wheel to check for excessive play.
- Check wheel bearings for smooth operation.
- Check axle and suspension nuts and bolts for looseness.
- Check strut (shock absorber) for oil leakage or other damage.
- Check suspension ball joint for grease leakage and ball joint dust cover for cracks or other damage.



DRIVE SHAFT

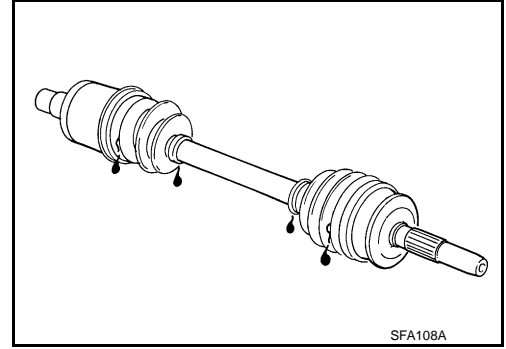
CHASSIS MAINTENANCE

< PERIODIC MAINTENANCE >

DRIVE SHAFT : Inspection

INFOID:000000005946838

Check boot and drive shaft for cracks, wear, damage and grease leakage.



A
B
C
D
E
F
G
H
I
J
K
L
M
N
O

MA

BODY MAINTENANCE

< PERIODIC MAINTENANCE >

BODY MAINTENANCE

LOCKS, HINGES AND HOOD LATCH

LOCKS, HINGES AND HOOD LATCH : Lubricating

INFOID:000000005946839

For hood and hood lock control illustration.

- Hood: Refer to [DLK-143, "Exploded View"](#).
- Hood lock control: Refer to [DLK-169, "Exploded View"](#).

For door and door lock illustration.

- Front door: Refer to [DLK-153, "Exploded View"](#).
- Front door lock: Refer to [DLK-174, "Exploded View"](#).
- Rear door: Refer to [DLK-157, "Exploded View"](#).
- Rear door lock: Refer to [DLK-178, "Exploded View"](#).

For trunk lid and trunk lid lock illustration.

- Trunk lid: Refer to [DLK-162, "Exploded View"](#).
- Trunk lid lock: Refer to [DLK-182, "Exploded View"](#).

SEAT BELT, BUCKLES, RETRACTORS, ANCHORS AND ADJUSTERS

SEAT BELT, BUCKLES, RETRACTORS, ANCHORS AND ADJUSTERS : Inspection

INFOID:000000005946840

For front seat belt illustration. Refer to [SB-6, "SEAT BELT RETRACTOR : Exploded View"](#).

For rear seat belt illustration. Refer to [SB-12, "SEAT BELT RETRACTOR : Exploded View"](#).

CAUTION:

- **After any collision, inspect all seat belt assemblies, including retractors and other attached hardwares (I.e. anchor bolt, guide rail set). Nissan recommends to replace all seat belt assemblies in use during a collision, unless not damaged and properly operating after minor collision. Also inspect seat belt assemblies not in use during a collision, and replace if damaged or improperly operating.**

Seat belt pre-tensioner should be replaced even if the seat belts are not in use during a frontal collision where the driver and passenger air bags are deployed.

- **If any component of seat belt assembly is questionable, do not repair.**

Replace as seat belt assembly.

- **If webbing is cut, frayed, or damaged, replace belt assembly.**
- **Never oil tongue and buckle.**
- **Use a genuine NISSAN seat belt assembly.**

For details, refer to [SB-4, "SEAT BELT RETRACTOR : Inspection"](#), [SB-10, "SEAT BELT RETRACTOR : Inspection"](#) in SB section.

- Check anchors for loose mounting
- Check belts for damage
- Check retractor for smooth operation
- Check function of buckles and tongues when buckled and released

SERVICE DATA AND SPECIFICATIONS (SDS)

< SERVICE DATA AND SPECIFICATIONS (SDS)

SERVICE DATA AND SPECIFICATIONS (SDS)

SERVICE DATA AND SPECIFICATIONS (SDS)

DRIVE BELTS (VQ37VHR)

DRIVE BELTS (VQ37VHR) : Drive Belt

INFOID:000000006115563

DRIVE BELT

Tension of drive belt	Belt tension is not necessary, as it is automatically adjusted by drive belt auto-tensioner.
-----------------------	--

DRIVE BELTS (VK56VD)

DRIVE BELTS (VK56VD) : Drive Belts

INFOID:000000006115565

DRIVE BELT

Tension of drive belts	Belt tension is not necessary, as it is automatically adjusted by drive belt auto-tensioner.
------------------------	--

ENGINE COOLANT (VQ37VHR)

ENGINE COOLANT (VQ37VHR) : Periodical Maintenance Specification

INFOID:000000006115569

ENGINE COOLANT CAPACITY (APPROXIMATE)

Unit: ℓ (US qt, Imp qt)

Engine coolant capacity [With reservoir tank ("MAX" level)]	8.4 (8-7/8, 7-3/8)
Reservoir tank engine coolant capacity (At "MAX" level)	0.8 (7/8, 3/4)

ENGINE COOLANT (VK56VD)

ENGINE COOLANT (VK56VD) : Periodical Maintenance Specification

INFOID:000000006115570

ENGINE COOLANT CAPACITY (APPROXIMATELY)

Unit: ℓ (US qt, Imp qt)

Engine coolant capacity [With reservoir tank ("MAX" level)]	10.9 (11-4/8, 9-5/8)
Reservoir tank engine coolant capacity (At "MAX" level)	0.8 (7/8, 3/4)

ENGINE OIL (VQ37VHR)

ENGINE OIL (VQ37VHR) : Periodical Maintenance Specification

INFOID:000000006115567

ENGINE OIL CAPACITY (APPROXIMATE)

Unit: ℓ (US qt, Imp qt)

Drain and refill	With oil filter change	4.9 (5-1/8, 4-1/4)
	Without oil filter change	4.6 (4-7/8, 4)
Dry engine (Overhaul)		5.7 (6, 5)

ENGINE OIL (VK56VD)

ENGINE OIL (VK56VD) : Periodical Maintenance Specification

INFOID:000000006115568

ENGINE OIL CAPACITY (APPROXIMATELY)

A
B
C
D
E
F
G
H
I
J
K
L
M
N
O
MA

SERVICE DATA AND SPECIFICATIONS (SDS)

< SERVICE DATA AND SPECIFICATIONS (SDS)

Unit: ℓ (US qt, Imp qt)

Drain and refill	With oil filter change	2WD	6.0 (6-3/8, 5-2/8)
		AWD	
	Without oil filter change	2WD	5.7 (6, 5)
		AWD	5.8 (6-1/8, 5-1/8)
Dry engine (Overhaul)			7.2 (7-5/8, 6-3/8)

SPARK PLUG (VQ37VHR)

SPARK PLUG (VQ37VHR) : Spark Plug

INFOID:000000006115564

SPARK PLUG

Unit: mm (in)

Make	DENSO
Standard type	FXE24HR11
Gap (Nominal)	1.1 (0.043)

SPARK PLUG (VK56VD)

SPARK PLUG (VK56VD) : Spark Plug

INFOID:000000006115566

SPARK PLUG

Unit: mm (in)

Make	NGK	
Standard type	DILKAR7B11	
Gap	Standard	1.1 (0.043)
	Limit	1.25 (0.049)

ROAD WHEEL

ROAD WHEEL : Road Wheel

INFOID:000000006115571

CONVENTIONAL

Item		Limit
Radial runout	Lateral deflection	Less than 0.3 mm (0.012 in)
	Vertical deflection	
Allowable unbalance	Dynamic (At flange)	Less than 7 g (0.25 oz) (one side)
	Static (At flange)	Less than 14 g (0.49 oz)

EMERGENCY

Item		Limit
Radial runout	Lateral deflection	Less than 1.5 mm (0.059 in)
	Vertical deflection	